

Forged Steel Globe Valve

连接形式 Connection types: Female thread, Weld, Flange

结构形式 Structure types: threaded bonnet, welded bonnet, pressure self seal bonnet.

栓接阀盖/焊接阀盖/自密封阀盖



Bolted Bonnet



Welded Bonnet



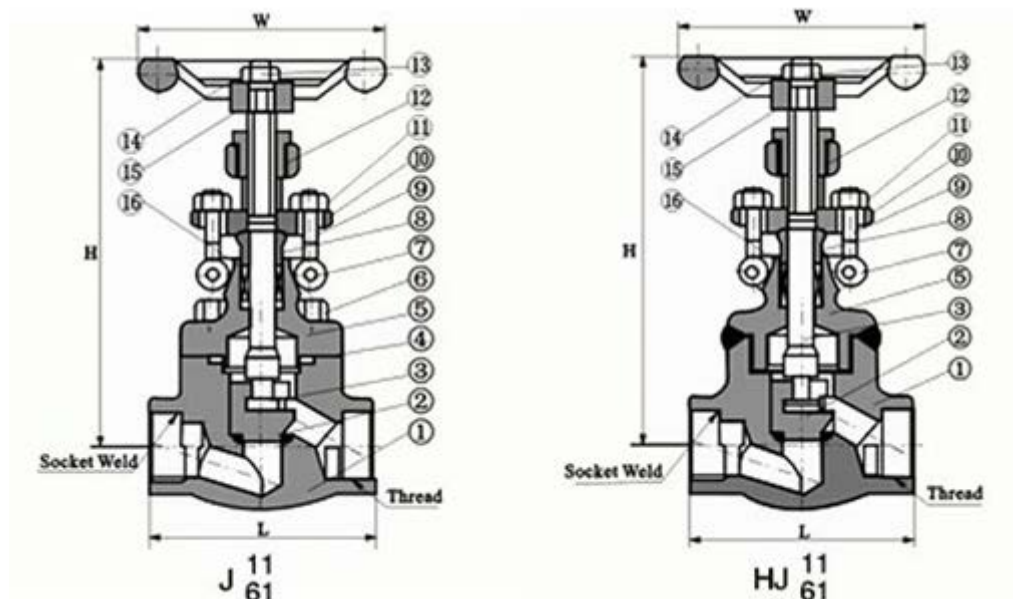
Pressure Seal Bonnet

采用标准 Using standards:

1. Design and manufacture: BS 5352, MSS SP-118;
2. Socket weld size: ANSI B 16.11, JB/T 1751
3. Thread size: ANSI B1.20.1, JB/T 7306;
4. Butt weld size: ANSI B 16.25, JB/T 12224;
5. Flange size: ANSI B 16.5, JB 79
6. Test standard: API 598, GB/T 13927, JB/T 9092

● 内螺纹 Female thread type

Model No: J11H, J11Y



主要部件材质 Materials of main parts: (800Lb ~900Lb~2500lb)

No.	Parts name	CS	AS	SS	
		A105	F22	F304(L)	F316(L)
1	Body	A105	A182F22	A182F304(L)	A182F316(L)
2	Valve disc	A276420	A276304	A276304(L)	A276F316(L)
3	Stem	A182F6	A182F304	A182F304(L)	A182F316(L)
4	Gasket	316+Flexible graphite		316+PTFE	
5	Bonnet	A105	A276304	A276304(L)	A276F316(L)
6	Bolt	A193B7	A193B16	A193B8	A193B8M
7	Pin	A276420		A276 304	
8	Packing sleeve	A276410		A182F304(L)	A182F316(L)
9	Eyelet bolt	A193B7	A193B16	A193B8	A193B8M
10	Packing pressplate	A216WCB		A351CF8	
11	Nut	A1942H	A1944	A1948	A1948M
12	Stem nut	A276420			
13	Locknut	A1942H	A1944	A1948	A1948M
14	Nameplate	SS			
15	Hand wheel	A197			
16	packing	Flexible graphite		PTFE	
Applicable medium		Water, oil, steam etc		Nitric acid, acetic acid, etc	
Suitable temperature		-29°C~425°C	-29°C~550°C	-29°C~200°C	

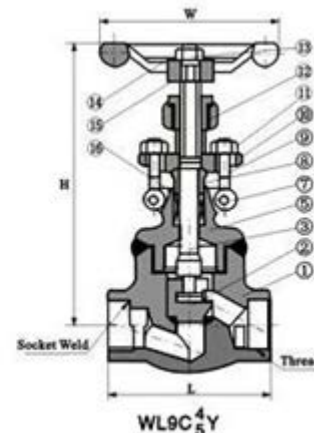
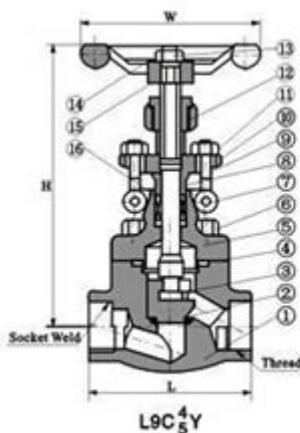
Note: Other materials are also available on requested, seal face materials depend on the customized trim materials.
CS=carbon steel; AS=steel alloyed; SS=stainless steel.

外形尺寸与参考重量 Outline dimensions and Reference Weight

NPS	Reduce bore	(mm)							
		3/8'	1/2'	3/4'	1'	1 1/4'	1 1/2'	2'	
	Full bore		3/8'	1/2'	3/4'	1'	1 1/4'	1 1/2'	2'
L		92	111	111	120	152	172	200	220
H (open)		171	207	207	240	258	330	355	370
W		100	125	125	160	160	180	200	240
weight	Threaded	2.2	3.7	3.6	6.8	7.6	11.6	15.0	21.9
	Welded	2.0	3.4	3.3	6.0	5.6	10.3	14.2	18.0

● 焊接式 Weld type

Model No.: J61H / J61Y



主要部件材质 Materials of main parts:

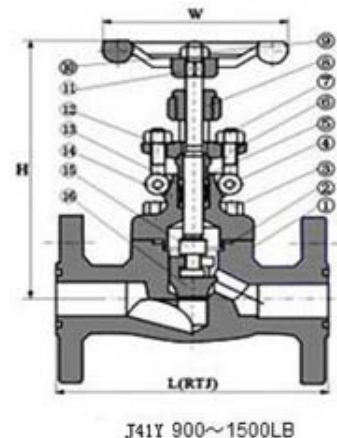
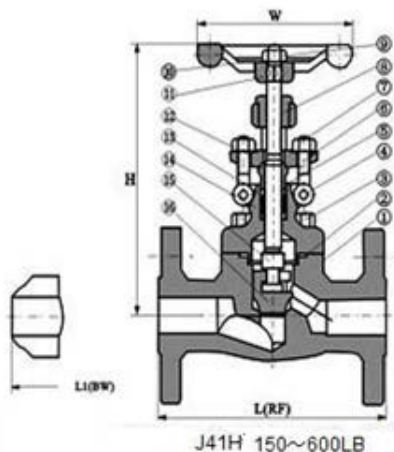
No.	部件名称 Parts name	CS	AS	SS	
		A105	F22	F304(L)	F316(L)
1	Body	A105	A182F22	A182F304(L)	A182F316(L)
2	Valve disc	A276420	A276304	A276304(L)	A276F316(L)
3	stem	A182F6	A182F304	A182F304(L)	A182F316(L)
4	Gasket	316+Flexible Graphite		316+PTFE	
5	bonnet	A105	A276304	A276304(L)	A276F316(L)
6	bolt	A193B7	A193B16	A193B8	A193B8M
7	pin	A276420		A276 304	
8	Packing sleeve	A276410		A182F304(L)	A182F316(L)
9	Eyelet bolt	A193B7	A193B16	A193B8	A193B8M
10	Packing pressplate	A216WCB		A351CF8	
11	Nut	A1942H	A1944	A1948	A1948M
12	Stem nut	A276420			
13	Locknut	A1942H	A1944	A1948	A1948M
14	Nameplate	SS			
15	Hand wheel	A197			
16	Packing	Flexible graphite		PTFE	
Applicable medium		Water, oil, steam etc.		Nitric acid, Acetic acid etc	
Suitable temperature		-29°C~425°C	-29°C~550°C	-29°C~200°C	

Note: Other materials are also available on requested, seal face materials depend on the customized trim materials.
CS=carbon steel; AS=steel alloyed; SS=stainless steel.

外形尺寸及参考重量 Outline dimensions & Reference Weight

NPS	Reduce bore	(mm)							
		3/8"	1/2"	3/4"	1"	1 1/4"	1 1/2"	2"	2"
	Full bore		3/8"	1/2"	3/4"	1"	1 1/4"	1 1/2"	2"
	L	92	111	111	120	152	172	200	220
	H (open)	171	207	207	240	258	330	355	370
	W	100	125	125	160	160	180	200	240
Weight	threaded	2.2	3.7	3.6	6.8	7.6	11.6	15.0	21.9
	welded	2.0	3.4	3.3	6.0	5.6	10.3	14.2	18.0

● 法兰连接式 Flange type



外形尺寸及参考重量 Outline dimensions & reference weight

NPS		150~600LB (mm)		(kg)				
		1/2"	3/4"	1"	1-1/4"	1-1/2"	2"	
L(RF) L1(BW)	150lb	180	117	127	140	165	203	
	300lb	152	178	203	216	229	267	
	600lb	165	190	216	229	241	292	
H (open)	150lb~300lb	166	171	207	240	258	330	
	600lb	171	207	240	258	330	380	
W		100	100	125	160	160	180	
Weight	150lb	RF	4.5	6.9	9.8	13.5	19.5	28.0
		BW	2.3	3.6	7.8	8.2	12.0	15.0
	300lb	RF	4.8	7.7	11.0	16.8	21.2	32.6
		BW	2.8	4.0	8.5	9.2	12.6	16.8
	600lb	RF	5.6	7.8	12.5	17.0	23.5	38.8
		BW	3.4	4.7	9.2	10.5	13.3	18.9

900~1500LB

NPS		1/2"	3/4"	1"	1-1/4"	1-1/2"	2"
L(RTJ)	900lb~1500lb	216	229	254	279	305	371
H(BW)	900lb~1500lb	216	229	254	279	305	368
H (open)		207	207	240	258	330	355
W		125	125	160	160	180	200
Weight	RTJ	8.0	13.2	17.4	19.0	24.5	31.0
	BW	5.2	10.0	14.6	15.8	20.5	27.8

● 波纹管密封截止阀 Bellow Seal Globe Valve

Model No: WJ11H, WJ61Y

- 美标 US standard:
Design and manufacture: ASME B16.34, MSS-SP-117, BS1873
Face to face: ASME B16.10;
Connection end size: ASME B16.5, ASME B16.25
Test standard: API598
- 德标 Germany standard:
Design and manufacture: DIN3356;
Face to face: DIN3202;
Connection end size: DIN2543-2546
Test standard: DIN3230
- 国标 China standard:
Design and manufacture: GB12235;
Face to face: GB12221;
Connection end size: JB/T79, GB9113, HG20592
Test standard: JB/T 9092, GB/T13927

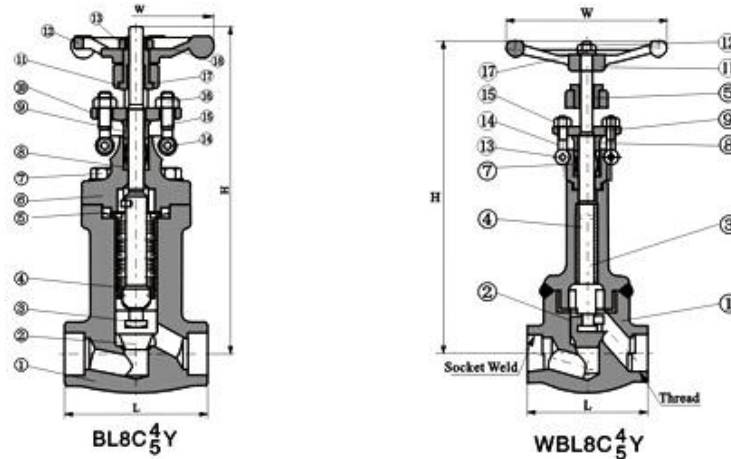
优点 Advantages:

It adopts bellow seal, and it eliminates the shortcomings of the common valve, its stem packing seal is aging fast and easy to leak, it not only improve the use of energy efficiency, increase production equipment safety, reduce the maintenance costs and frequency, but also provides a clean and safe working surrounding for us.

Unique self seal structure, the higher of the pressure, the stronger of seal performance.

结构特点 Structure features:

1. double seal designing (bellow + packing seal), if the bellow fails, stem packing can work;
2. No fluid loss, reduce energy losses, improve plant safety;
3. Seal face is built-up welding with Co base carbide, so it is wear resistance, corrosion resistance, friction resistance, long service life, and it can reduce maintenance times, and operating costs;
4. Valve stem is zero leakage, no need of maintenance;
5. Valve stem is quenching and surface nitriding treatment, so it has a good anti corrosion, anti friction;
6. Stem position indication is more intuitive.



主要部件材质 Materials List of main parts:

No.	Parts name	CS	AS	SS	
		A105N	A182 F22	A182 F304(L)	A182 F316(L)
1	Body	A105N	A182 F22	A182 F304(L)	A182 F316(L)
2	Seat	A276 420	A276 304	A276 304(L)	A276 316(L)
3	Disc	A276 420	A276 304	A276 304(L)	A276 316(L)
4	Stem	A182 F6a	A182 F304	A182 F304(L)	A182 F316(L)
5	Bellow	304		304(L)	316(L)
6	Bonnet	A105N	A182 F22	A182 F304(L)	A182 F316(L)
7	Packing	Flexible graphite		PTFE	
8	Anchor bolt/nut	A193 B8/A 194 2H	A193 B8/A 194 4	A193 B8/A194 8	A193 B8/A194 8M
9	Packing press plate	A276 420		A182 F304	
10	Packing press plate	A105N		A182 F304	
11	Stem nut	A276 420			
12	Hand wheel	A197, A182 F304			
13	Lengthening sleeve	A105	A182 F22	A182 F304(L)	A182 F316(L)
14	Down plunker	A182 F304	A182 F304	A182 F304(L)	A182 F316(L)
15	Up plunker	A182 F304	A182 F304	A182 F304(L)	A182 F316(L)
16	Screw	A276 420		A182 F304	
17	Locknut	A194 2H	A194 4	A194 8	A194 8M
Applicable medium		Water, oil, steam	Water, oil, steam	Nitric acid, acetic acid, etc.	
Suitable temperature		-29°C~425°C	-29°C~550°C	-29°C~200°C	

Note: Other materials are also available on requested, seal face materials depend on the customized trim materials. CS=carbon steel; AS=steel alloyed; SS=stainless steel.

外形尺寸及参考重量 Outline dimensions (mm) & reference weight (kg)

NPS	Reduce bore	3/8"	1/2"	3/4"	1"	1 1/4"	1 1/2"	2"
	Full bore		3/8"	1/2"	3/4"	1"	1 1/4"	1 1/2"
L1		79	79	92	111	120	120	140
L		79	79	92	111	120	152	172
H (open)		220	220	225	244	321	321	347
W		100	100	100	125	160	160	180
Weight	Threaded	3.2	3.0	4.8	7.9	11.0	16.8	25.2
	Welded	3.0	2.8	4.8	7.0	9.6	13.5	20.25

保温截止阀 Insulation Globe Valve

Model No.: BJ41Y

别名 Other name:保温夹套截止阀 Insulation Jacket Globe Valve

采用标准 Using standards:

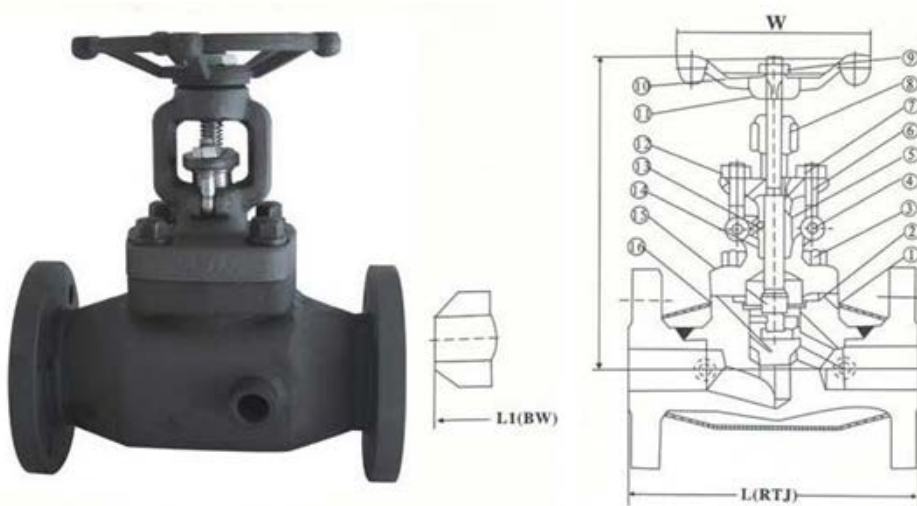
Design: GB12224, GB/T12228, BG/T12235

Face to face: JB/T82.1~82.4-94

Test: GB/T13927

产品特征与用途 Product features and usage:

1. A metal jacket is mounted between two flanges by welding, and the jacket interface is arranged on the side and bottom of valve, used to inject steam or other heat preserving, cold preserving medium and to ensure the medium in the valve can work normally.
2. Used to turn on or cut off the medium in the pipeline, not for regulation flow.



主要部件材质 Materials of main parts:

No.	部件名称 Parts name	CS	AS	AS	
		A105	F22	F304(L)	A105
1	Body	A105	A182F22	A182F304(L)	A105
2	Seat	A276 420	A276 304	A276 304(L)	A276 420
3	Disc	A276 410&403	A182 F304	A182 F304(L)	A276 410&403
4	Stem	A182 F6	A182 F304	A182 F304(L)	A182 F6
5	Gasket	316 +graphite		316SS+PTFE	
6	Bonnet	A105	A182 F22	A105	A182 F22
7	Bonnet bolt	A193 B7	A193 B16	A193 B7	A193 B16
8	Straight pin	A276 420		A276 304	
9	Packing sleeve	A276 410		A182 F304(L)	A276 410
10	Eyelet bolt	A193 B7	A193 B16	A193 B7	A193 B16
11	Packing press plate	A105	A182 F11	A105	A182 F11
12	nut	A194 2H	A194 4	A194 2H	A194 4
13	Stem nut	A276 410			
14	Locknut	A194 2H	A194 4	A194 8	A194 8M
15	Nameplate	SS			
16	Hand wheel	A197			
17	Lubricating gasket	A472 431			
18	Packing	Flexible graphite		PTFE	
Applicable medium		Water, oil, steam		Nitric acid, acetic acid, etc.	
Suitable temperature		-29℃--550℃		-29℃--180℃	

Note: Other materials are also available on requested, seal face materials depend on the customized trim materials. CS=carbon steel; AS=steel alloyed; SS=stainless steel.

外形尺寸 **Outline dimensions** (mm)

NPS		1/2"	3/4"	1"	1-1/4"	1-1/2"	2"
L(RF)	150	108	117	117	140	165	203
	300	140	152	152	178	190	216
L1 (BW)	600	165	190	190	229	241	292
	150,300	158	169	169	236	246	283
H (open)	600	169	197	197	246	283	320
	W	100	100	100	160	160	180
2-G		3/8	3/8	3/8	1/2	1/2	1/2

● 自密封型 Self Seal Type

Model No: J61Y

Structure: bolted bonnet, welded bonnet, self seal bonnet.

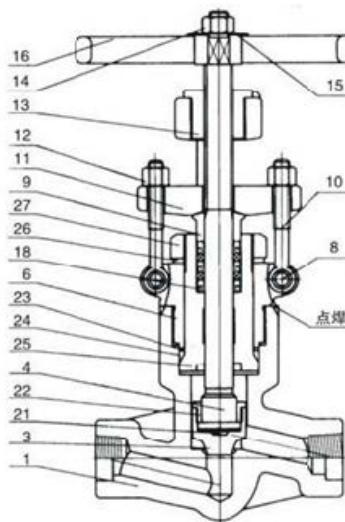
Valve disc moves around the middle line of valve seat, as its stroke of turning on or off is short, so it has a very reliable shutoff performance.

采用标准 Using standards:

1. Design and manufacture: API 602, ASME B16.34
2. Socket weld end: ASME B 16.11;
3. Thread end: ANSI/ASME B1.20.1
4. Test: API 598

产品特点 Product features:

1. simple structure, easy to manufacture and maintenance;
2. short stroke, and short time for opening and closing;
3. good seal, small friction force; but:
4. The fluid resistance is large, so it needs a big opening and closing force;
5. It is not suitable for the media with particles and high viscosity, and medium that easy to coke;
6. It doesn't has a good regulation performance.



主要部件材质 Materials of main parts:

No.	部件名称 Parts name	CS	AS	AS	
		A105	F22	F304(L)	A105
1	Body	A105	A182 F22	A182 F304(L)	A182 F316(L)
2	Disk	A276 420	A276 304	A276 304(L)	A276 F316(L)
3	Stem	A182F6	A182 F304	A182 F304(L)	A182F 316(L)
4	O-ring	A182 F304L			A182 F316L
5	Seal nut	A105	A182 F304	A182F304(L)	A182 F316L
6	Bonnet	A105	A182 F22	A182F304(L)	A182 F316(L)
7	Pin	A276420		A182F304	
8	Washer	A105	A182 F22	A182 F304(L)	A182 F316(L)
9	Lifting nut	A1942H	A1944	A1948	A194 8M
10	Packing	Flexible Graphite		PTFE	
11	Packing sleeve	A276 420		A182 F304	
12	Eyelet bolt	A193B7	A193B16	A193B8	A193 B8M
13	Packing press plate	A216WCB		A351CF8	
14	nut	A194 2H	A1944	A1948	A194 8M
15	Stem nut	A276 410			
16	Hand wheel	A197			
17	Locknut	A1942H	A1944	A1948	A194 8M
18	Nozzle	copper 铜			
Applicable medium		Water, oil, steam	Water, oil, steam	Nitric acid, acetic acid, etc.	
Suitable temperature		-29℃~425℃	-29℃~550℃	-29℃~200℃	

Note: Other materials are also available on requested, seal face materials depend on the customized trim materials.
CS=carbon steel; AS=steel alloyed; SS=stainless steel.

主要链接尺寸及参考重量 Outline dimensions & reference weight

		(mm)			(kg)		
NPS		1/2"	3/4"	1"	1 1/4"	1 1/2"	2"
L	900LB-1500LB	140	140	140	178	178	216
	2500LB	186	186	186	232	232	279
H(开)		333	333	333	408	408	524
W		160	160	180	200	250	280
Weight	900LB-1500LB	11.2	10.5	10.1	21.0	19.6	40.4
	2500LB	12.3	11.6	10.8	28.0	26.4	43.8

● Y型截止阀 Y-shape Globe Valve

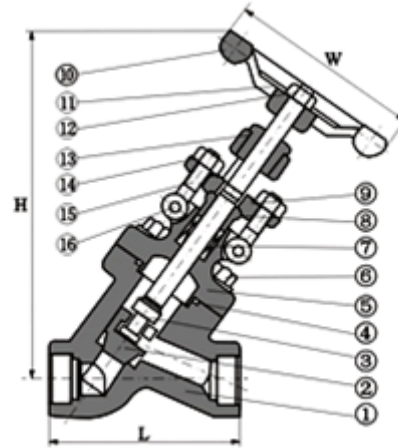
Class 800 LB

Model No: J61Y

结构 Structure types: Bolted bonnet; welded bonnet; self seal bonnet.

阀瓣围绕阀座移动，因开/关行程较短，所以有较为可靠的切断性能

Valve disc moves around the middle line of valve seat, as its stroke of turning on or off is short, so it has a very reliable shutoff performance.



主要部件材质 Materials List of main parts

No.	Parts name	CS	AS	SS	
		A105	F22	F304(L)	F316(L)
1	Body	A105	A182 F22	A182 F304(L)	A182 F316(L)
2	Disk	A276 420	A276 304	A276 304(L)	A276 316(L)
3	Stem	A182 F6	A182 F304	A182 F304(L)	A182F 316(L)
4	Gasket	316+Flexible Graphite		316+PTFE	
5	Bonnet	A105	A276 304	A182 F304(L)	A182 F316(L)
6	Bolt	A193B7	A193B16	A193B8	A193 B8M
7	Packing	Flexible Graphite		PTFE	
8	Packing sleeve	A276410		A182F304(L)	A182 F316(L)
9	Packing press plate	A216WCB		A351CF8	
10	Hand wheel	A197			
11	Nameplate	SS			
12	Nut	A1942H	A1944	A1948	A1948M
13	Stem nut	A276410			
14	Nut	A1942H	A1944	A1948	A1948M
15	Eyelet bolt	A193B7	A193B16	A193B8	A193B8M
16	Pin	Flexible Graphite		PTFE	
Applicable medium		Water,oil,steam	Water,oil,steam	Nitric acid, acetic acid, etc.	
Suitable temperature		-29℃~425℃	-29℃~550℃	-29℃~200℃	

Note: Other materials are also available on requested, seal face materials depend on the customized trim materials.
CS=carbon steel; AS=steel alloyed; SS=stainless steel.

外形尺寸及参考重量 Outline dimensions & reference Weight

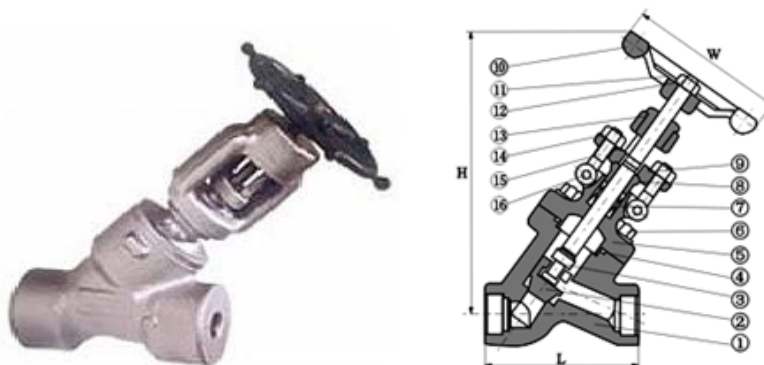
NPS	(mm)			(kg)		
	1/2 "	3/4 "	1 "	1 1/4 "	1 1/2 "	2 "
L	98	111	120	140	140	170
H (open)	175	215	254	305	305	365
W	100	125	160	160	180	200
Weight	5	6.3	7.6	9.8	13.8	14.0

● Y型自密封截止阀 Y-shape Self Seal Globe Valve

800 LB

采用标准 Using standards:

1. Design and manufacture: API 602, ASME B16.34
2. Socket weld end: ASME B 16.11, JIS B2306;
3. Thread end: ANSI/ASME B1.20.1, BS 21, JIS B0203:S107/13
4. Testing standard: API 598



主要部件材质 Materials of main parts:

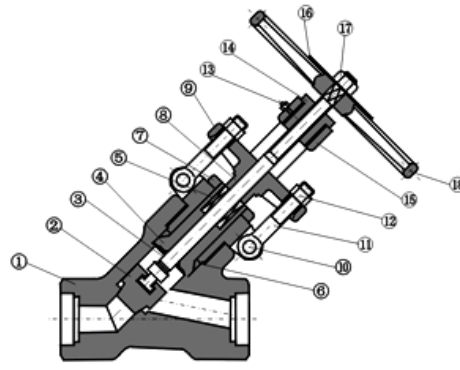
No.	Parts name	CS	AS	SS	
		A105	F22	F304(L)	F316(L)
1	Body	A105	A182F22	A182 F304(L)	A182 F316(L)
2	Disk	A276420	A276304	A276 304(L)	A276 316(L)
3	Stem	A182F6	A182F304	A182 F304(L)	A182 F316(L)
4	Gasket	316+Flexible Graphite		316+PTFE	
5	Bonnet	A105	A276 304	A182 F304(L)	A182 F316(L)
6	Bolt	A193B7	A193B16	A193B8	A193B8M
7	Packing	Flexible Graphite		PTFE	
8	Packing sleeve	A276410		A182F304(L)	A182 F316(L)
9	Packing press plate	A216WCB		A351CF8	
10	Hand wheel	A197			
11	Nameplate	SS			
12	Nut	A1942H	A1944	A1948	A1948M
13	Stem nut	A276410			
14	Nut	A1942H	A1944	A1948	A1948M
15	Eyelet bolt	A193B7	A193B16	A193B8	A193B8M
16	Pin	Flexible Graphite		PTFE	
Applicable medium		Water,oil,steam	Water,oil,steam	Nitric acid, acetic acid, etc.	
Suitable temperature		-29℃~425℃	-29℃~550℃	-29℃~200℃	

Note: Other materials are also available on requested, seal face materials depend on the customized trim materials.
CS=carbon steel; AS=steel alloyed; SS=stainless steel.

外形尺寸及参考重量 Outline Dimensions & Reference Weight

	(mm)			(kg)		
NPS	1/2 "	3/4 "	1 "	1-1/4 "	1-1/2 "	2 "
L	98	111	120	140	140	170
H (open)	175	215	254	305	305	365
W	100	125	160	160	180	200
Weight	5	6.3	7.6	9.8	13.8	14.0

900LB-2500LB



主要部件材质 Materials of main parts

No.	Parts name	CS	AS	SS	
		A105	A182 F22	A182 F304(L)	A182 F316(L)
1	Body	A105	A182 F22	A182 F304(L)	A182 F316(L)
2	Disk	A276 420	A276 304	A276 304(L)	A276 316(L)
3	Stem	A182 F6		A182 F304(L)	A182 F316(L)
4	Packing nut	A105	A182 F304	A182 F304(L)	A182 F316(L)
5	Packing	Flexible graphite		PTFE	
6	Seal ring	F182F304L			A182F316(L)
7	Lifting nut	A1942H	A1944	A1948	A1948M
8	Packing sleeve	A276 420		A182 F304	
9	Packing Press plate	A216WCB		A351CF8	
10	Pin	A276420		A182F304	
11	Eyelet bolt	A193 B7	A193B16	A193B8	A1983 B8M
12	Nut	A1942H	A1944	A1948	A1948M
13	Nozzle	A105	A182F22	A182F304 (L)	A182F316 (L)
14	Stem nut	A276 F410			
15	Bonnet	A105	A182F22	A182F304 (L)	A182F316 (L)
16	Nameplate	SS			
17	Locknut	A1942H	A1944	A1948	A1948M
18	Hand wheel	A197			
Applicable medium		Water, oil, steam	Water,oil,steam	Nitric acid, acetic acid, etc.	
Suitable temperature		-29℃~425℃	-29℃~550℃	-29℃~200℃	

Note: Other materials are also available on requested, seal face materials depend on the customized trim materials.
CS=carbon steel; AS=steel alloyed; SS=stainless steel.

外形尺寸及参考重量 Outline Dimensions & Reference Weight

		(mm)	(kg)				
NPS		1/2"	3/4"	1"	1 1/4"	1 1/2"	2"
L	900Lb-150Lb	140	140	140	178	178	216
	2500Lb	186	186	186	232	232	279
H (open)		333	333	332	408	406	524
W		125	125	160	160	180	200
Weight	900LB-1500LB	11.2	10.5	10.1	21.0	19.6	40.4
	2500LB	12.3	11.6	10.8	28.0	26.4	43.8