

Flanged Globe Valve

Using standards:

Design & manufacture: ASME B16.34 and BS 1873
Testing standard: API 598
Flange connection: ASME B16.5
Butt-weld end: ASME B16.25
Structure length: ASME B16.10
Temp. & pressure grade: ASME B16.34
Optional operation mode: hand wheel, gear drive,
Sprocket drive, electric actuator.

Characteristics:

It used to regulate the medium flow in the pipeline,
The friction between the sealing surfaces is small in the process of
opening and closing the valve, it is durable, and easy to
manufacture and maintenance owing to its simple structure.

Body and bonnet connection: bolt connected bonnet for Class150—Class900; Pressure Self
sealing bonnet for Class1500—Class2500.

Bonnet gasket:

CLASS150, Stainless steel graphite composite gasket;
CLASS 300, Stainless steel graphite Spiral wound gasket;
CLASS 600, Stainless steel graphite Spiral wound gasket, or Metal ring gasket;
CLASS 900, Metal Ring Gasket;
CLASS 1500~Class2500, Self Sealing Metal Ring.

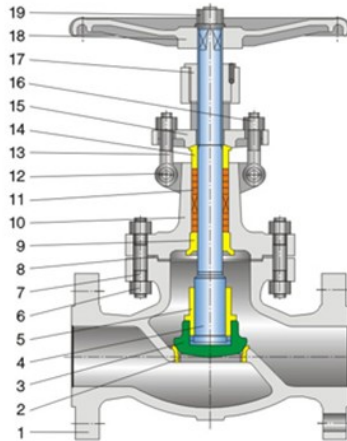
Packing materials:

It generally adopts graphite as packing material, but upon requested by customers, PTFE and
combination packing are also available.

The touching surface roughness between packing and gland box is about 3.2 μ m that can
ensure the tight junction between stem and packing but free rotating, while, the roughness of
precisely processed valve stem sealing face is about 0.8 μ m that can also ensure its reliable
seal.

Design feature: Bolt connected valve bonnet, OS & Y, rising stem, metal sealing surface.



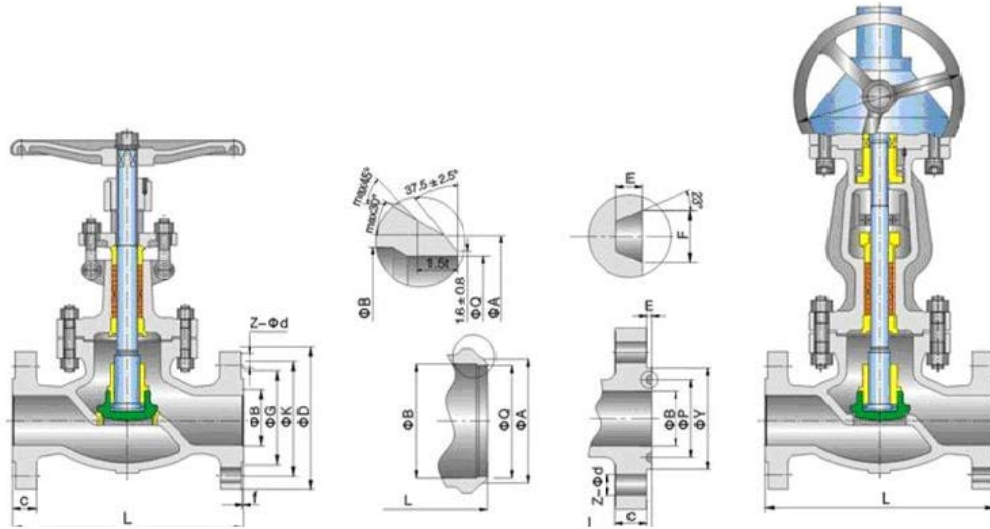


Materials List of Main parts:

NO	Parts Name	Materials				
		WCB/Trim1	WCB/Trim5	WCB/Trim8	CF8/304	CF8M/316
1	Body	ASTM A216 WCB	ASTM A216 WCB	ASTM A216 WCB	ASTM A351 CF8	ASTM A351 CF8M
2	Seat ring	A105+13Cr	A105+STL	A105+STL	ASTM A351 CF8	ASTM A351 CF8M
3	Disc	ASTM A216 WCB+13Cr	ASTM A216 WCB+STL	ASTM A216 WCB+13Cr	ASTM A351 CF8	ASTM A351 CF8M
4	Stem	ASTMA182 F6a	ASTMA182 F6a	ASTMA182 F6a	ASTM A182 F304	ASTM A182 F316
5	Disc nut	ASTM A216 WCB	ASTM A216 WCB	ASTM A216 WCB	ASTM A351 CF8	ASTM A351 CF8M
6	Bonnet nut	ASTM A194 2H	ASTM A194 2H	ASTM A194 2H	ASTM A194 8	ASTM A194 8M
7	Bonnet bolt	ASTM A193 B7	ASTM A193 B7	ASTM A193 B7	ASTM A193 B8	ASTM A193 B8M
8	Gasket	304 sheet+Graphite	304 sheet+Graphite	304 sheet+Graphite	304+Graphite	316+Graphite
9	Backseat bushing	ASTM A182 F6a	ASTM A182 F6a	ASTM A182 F6a	ASTM A351 CF8	ASTM A351 CF8M
10	Bonnet	ASTM A216 WCB	ASTM A216 WCB	ASTM A216 WCB	ASTM A351 CF8	ASTM A351 CF8M
11	Packing	Graphite	Graphite	Graphite	Graphite	Graphite
12	Eyebolt Pin	ASTM A36	ASTM A36	ASTM A36	304ss	316ss
13	Gland eyebolt	ASTM A193 B7	ASTM A193 B7	ASTM A193 B7	ASTM A193 B8	ASTM A193 B8M
14	Gland	ASTM A182 F6a	ASTM A182 F6a	ASTM A182 F6a	ASTM A182 F304	ASTM A182 F316
15	Gland flange	ASTM A216 WCB	ASTM A216 WCB	ASTM A216 WCB	ASTM A351 CF8	ASTM A351 CF8M
16	Eyebolt nut	ASTM A194 2H	ASTM A194 2H	ASTM A194 2H	ASTM A194 8	ASTM A194 8M
17	Stem nut	ASTM A439 D2	ASTM A439 D2	ASTM A439 D2	ASTM A439 D2	ASTM A439 D2
18	Hand wheel	Ductile iron	Ductile iron	Ductile iron	Ductile iron	Ductile iron
19	Hand wheel nut	Carbon steel	Carbon steel	Carbon steel	Carbon steel	Carbon steel

Notes:

- The up-mentioned form has listed the most commonly used configurations of gate valve, and we will provide the other requested configurations according to actual operation conditions or customers' requirements.
- Optional drive modes: Hand wheel, gear drive, electric actuator.



Outline & Connection dimensions:

Pressure grade	Size		Dimensions(mm)									
	NPS	DN	L		B	D	G	f	K	Z- ϕ d	C	A
			RF	BW								
150LB	2	50	203	203	51	152	91.9	1.6	120.7	4-19.1	15.8	63
	2½	65	216	216	64	178	104.6	1.6	139.7	4-19.1	17.5	75
	3	80	241	241	76	191	127	1.6	152.4	4-19.1	19.1	91
	4	100	292	292	102	229	157.2	1.6	190.5	8-19.1	23.9	117
	6	150	406	406	152	279	215.9	1.6	241.3	8-22.2	25.4	172
	8	200	495	495	203	343	269.7	1.6	298.5	8-22.2	28.4	223
	10	250	622	622	254	406	323.9	1.6	362	12-25.4	30.2	278
	12	300	699	699	305	483	381	1.6	431.8	12-25.4	31.8	329
	14	350	787	787	337	533	412.8	1.6	476.2	12-28.6	35.1	362
	16	400	914	914	387	597	469.9	1.6	539.8	16-28.6	36.6	413

Pressure grade	Size		Dimensions(mm)														
	NPS	DN	L			B	D	G	f	K	Z- ϕ d	C	RTJ				A
			RF	RTJ	BW								Y	P	E	F	
300LB	2	50	267	283	267	51	165	91.9	1.6	127	8-19.1	22.4	108	82.55	7.92	11.91	63
	2½	65	292	308	292	64	191	104.6	1.6	149.2	8-22.2	25.4	127	101.6	7.92	11.91	75
	3	80	318	333	318	76	210	127	1.6	168.3	8-22.2	28.4	146	123.82	7.92	11.91	91
	4	100	356	371	356	102	254	157.2	1.6	200.2	8-22.2	31.8	175	149.22	7.92	11.91	117
	6	150	445	460	445	152	318	215.9	1.6	269.8	12-22.2	36.6	241	211.12	7.92	11.91	172
	8	200	559	575	559	203	381	269.7	1.6	330.2	12-25.4	41.1	302	269.88	7.92	11.91	223
	10	250	622	638	622	254	445	323.9	1.6	387.4	16-28.6	47.8	356	323.85	7.92	11.91	278
	12	300	711	727	711	305	521	381	1.6	450.9	16-31.8	50.8	413	381	7.92	11.91	329

Outline & Connection dimensions:

Pressure grade	Size		Dimensions(mm)														
	NPS	DN	L			B	D	G	f	K	Z-φd	C	RTJ				A
			RF	RTJ	BW								Y	P	E	F	
600LB	2	50	292	295	292	51	165	91.9	6.4	127	8-19.1	25.4	108	82.55	7.92	11.91	63
	2½	65	330	333	330	64	191	104.6	6.4	149.2	8-22.2	28.4	127	101.6	7.92	11.91	75
	3	80	356	359	356	76	210	127	6.4	168.3	8-22.2	31.8	146	123.82	7.92	11.91	91
	4	100	432	435	432	102	273	157.2	6.4	215.9	8-25.4	38.1	175	149.22	7.92	11.91	117
	6	150	559	562	559	152	356	215.9	6.4	292.1	12-28.6	47.8	241	211.12	7.92	11.91	172
	8	200	660	663	660	200	419	269.7	6.4	349.2	12-31.8	55.6	302	269.88	7.92	11.91	223
	10	250	787	790	787	248	508	323.9	6.4	461.8	16-34.9	63.5	356	323.85	7.92	11.91	278
	12	300	838	841	838	298	559	381	6.4	489	20-34.9	66.5	413	381	7.92	11.91	329

Pressure grade	Size		Dimensions(mm)														
	NPS	DN	L			B	D	G	f	K	Z-φd	C	RTJ				A
			RF	RTJ	BW								Y	P	E	F	
900LB	2	50	368	371	368	48	216	91.9	6.4	165.1	8-25.4	38.1	124	95.25	7.92	11.91	63
	2½	65	419	422	419	57	244	104.6	6.4	190.5	8-28.6	41.1	137	107.95	7.92	11.91	75
	3	80	381	384	381	73	241	127	6.4	190.5	8-25.4	38.1	156	123.82	7.92	11.91	91
	4	100	457	460	457	98	292	157.2	6.4	235	8-31.8	44.5	181	149.22	7.92	11.91	117
	6	150	610	613	610	146	381	215.9	6.4	317.5	12-31.8	55.6	241	211.12	7.92	11.91	172
	8	200	737	740	737	190	470	269.7	6.4	393.7	12-38.1	63.5	308	269.88	7.92	11.91	223
	10	250	838	841	838	238	546	323.9	6.4	469.9	16-38.1	69.9	362	323.85	7.92	11.91	278
	12	300	965	968	965	283	610	381	6.4	533.4	20-38.1	79.2	419	381	7.92	11.91	329

Pressure grade	Size		Dimensions(mm)														
	NPS	DN	L			B	D	G	f	K	Z-φd	C	RTJ				A
			RF	RTJ	BW								Y	P	E	F	
1500LB	2	50	368	371	368	48	216	91.9	6.4	165.1	8-25.4	38.1	124	95.25	7.92	11.91	63
	2½	65	419	422	419	57	244	104.6	6.4	190.5	8-28.6	41.1	137	107.95	7.92	11.91	75
	3	80	470	473	470	70	267	127	6.4	203.2	8-31.8	47.8	168	136.52	7.92	11.91	91
	4	100	546	549	546	92	311	157.2	6.4	241.3	8-34.9	53.8	194	161.92	7.92	11.91	117
	6	150	705	711	705	137	394	215.9	6.4	317.5	12-38.1	82.6	248	211.12	9.52	13.49	172
	8	200	832	842	832	178	483	269.7	6.4	393.7	12-44.5	91.9	318	269.88	11.13	16.66	223
	10	250	991	1000	991	222	584	323.9	6.4	482.6	12-50.8	108	371	323.85	11.13	16.66	278
	12	300	1130	1146	1130	264	673	381	6.4	571.5	16-54	124	438	381	14.27	23.01	329

Outline & Connection dimensions:

Pressure grade	Size		Dimensions(mm)														
	NPS	DN	L			B	D	G	f	K	Z-φd	C	RTJ				A
			RF	RTJ	BW								Y	P	E	F	
2500LB	2	50	451	454	451	38	235	91.9	6.4	171.5	8-28.6	50.8	50.8	101.6	7.92	11.91	63
	2½	65	508	514	508	48	267	104.6	6.4	196.9	8-31.8	57.2	57.2	111.12	9.52	13.49	75
	3	80	578	584	578	57	305	127	6.4	228.6	8-34.9	66.5	66.5	127	9.52	13.49	91
	4	100	673	683	673	73	356	157.2	6.4	273.1	8-41.3	76.2	76.2	157.18	11.13	16.66	117
	6	150	914	927	914	111	483	215.9	6.4	368.3	8-54	108	108	228.6	12.7	19.84	172
	8	200	1022	1038	1022	146	552	269.7	6.4	438.2	12-54	127	127	279.4	14.27	23.01	223
	10	250	1270	1292	1270	184	673	323.9	6.4	539.7	12-66.7	165.1	165.1	342.9	17.48	30.18	278
	12	300	1422	1445	1422	219	762	381	6.4	619.2	12-73	184.2	184.2	406.4	17.48	33.32	329

Please Note:

1. This catalogue mainly includes the valve with USA standards; the other products please contact us.
2. The sizes in this catalogue are just for reference, they are subject to our final confirmation.