



## ● Flange Gate Valve

### Using Standard:

Design & Manufacture: API 6D, API 600(ISO 10434)  
 Flange Connection: ASME B16.5(NPS≤24), API 605,  
 MSS SP-44(NPS>24) ASME B16.47A  
 Butt-weld End: ASME B16.25  
 Socket-weld End: ASME B16.11  
 Structure Length: ASME B16.10  
 Temp. & Pres. Grade: ASME B16.34  
 Test Standard: API 598, API 6D, API 600

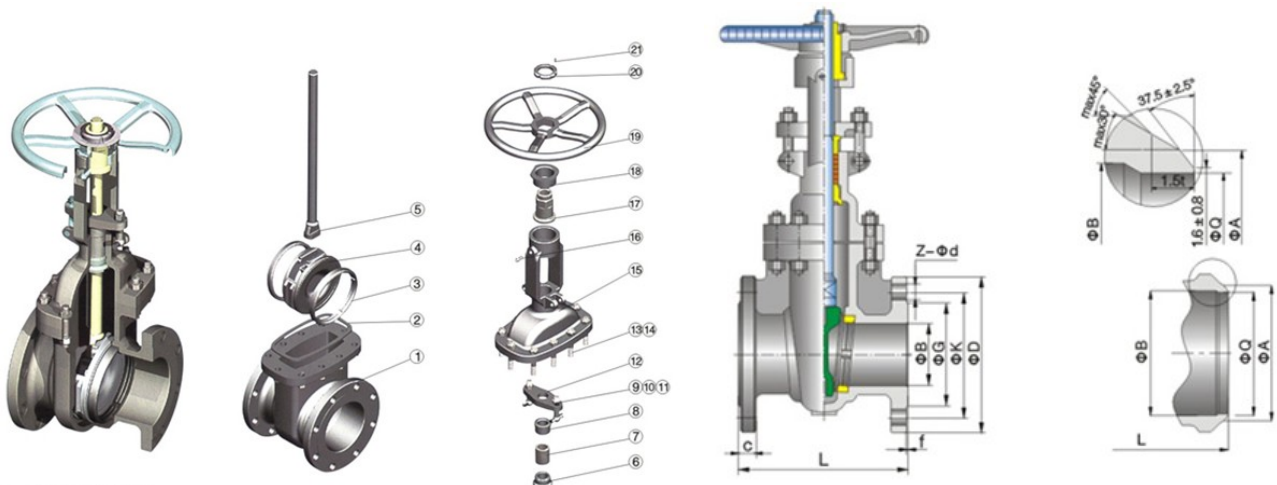
### Features:

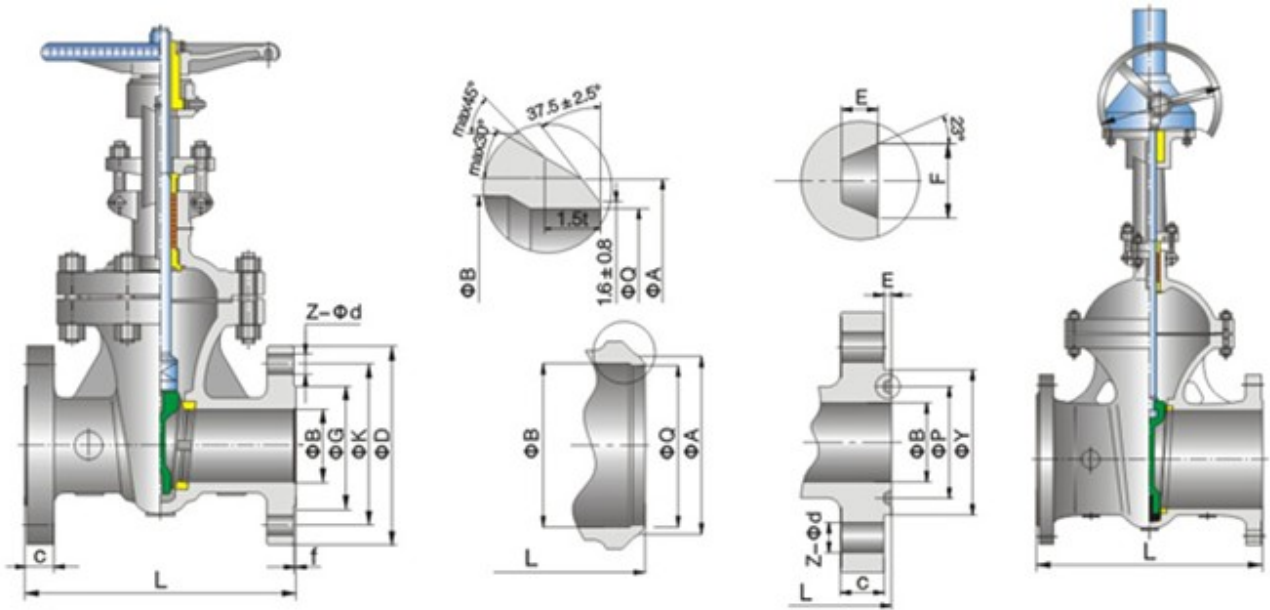
It used to cut off or turn on the flow direction of the medium in the pipeline. It has the advantages of small fluid resistance, saving labor in shutoff or opening, no disturb to medium flowing, no pressure reduction, and it also has the advantages of short structure, good manufacturing process and wide application fields.



### Product introduction:

1. Bonnet gasket: CLASS150, Stainless steel graphite composite gasket; CLASS 300, Stainless steel graphite Spiral wound gasket; CLASS 600, Stainless steel graphite Spiral wound gasket, or Metal ring gasket; CLASS 900, Metal Ring Gasket; CLASS 1500~Class2500, Self Sealing Metal Ring.
2. Packing materials: it generally adopts graphite as packing material, but upon requested by customers, PTFE and combination packing are also available.
3. Valve body connected to bonnet: bolt connected bonnet (Class150-Class900); and Self sealing bonnet (Class1500-Class2500).
4. Upon requested by customer, stem packing impact system will be loaded to spring, in order to improve the durability and reliability of packing seal.
5. Operation modes: Hand wheel, Gear drive, or Sprocket drive, Electric actuator.





### Materials list of Parts:

NO	Parts Name	Materials of the components				
		WCB/Trim1	WCB/Trim5	WCB/Trim8	CF8/304	CF8M/316
1	Body	ASTM A216 WCB	ASTM A216 WCB	ASTM A216 WCB	ASTM A351 CF8	ASTM A351
2	Gasket	Soft Iron+Graphite or 304+Graphite			304+ Graphite	316+ Graphite
3	Seat ring	A105+13Cr	A105+STL	A105+STL	ASTM A351 CF8	ASTM A351
4	Gate	ASTM A216	ASTM A216	ASTM A216	ASTM A351 CF8	ASTM A351
5	Stem	ASTMA182 F6a	ASTMA182 F6a	ASTMA182 F6a	ASTM A182 F304	ASTM A182 F316
6	Backseat bushing	ASTMA182 F6a	ASTMA182 F6a	ASTMA182 F6a	ASTM A351 CF8	ASTM A351
7	Packing	Graphite	Graphite	Graphite	Graphite	Graphite
8	Gland	ASTMA182 F6a	ASTMA182 F6a	ASTMA182 F6a	ASTM A182 F304	ASTM A182 F316
9	Gland eyebolt	ASTM A193 B7	ASTM A193 B7	ASTM A193 B7	ASTM A193 B8	ASTM A193 B8M
10	Eyebolt nut	ASTM A194 2H	ASTM A194 2H	ASTM A194 2H	ASTM A194 8	ASTM A194 8M
11	Eyebolt pin	ASTM A36	ASTM A36	ASTM A36	304ss	316ss
12	Gland flange	ASTM A216 WCB	ASTM A216	ASTM A216 WCB	ASTM A351 CF8	ASTM A351
13	Bonnet bolt	ASTM A193 B7	ASTM A193 B7	ASTM A193 B7	ASTM A193 B8	ASTM A193 B8M
14	Bonnet nut	ASTM A194 2H	ASTM A194 2H	ASTM A194 2H	ASTM A194 8	ASTM A194 8M
15	Bonnet	ASTM A216 WCB	ASTM A216	ASTM A216 WCB	ASTM A351 CF8	ASTM A351
16	Nipple	Carbon steel	Carbon steel	Carbon steel	Carbon steel	Carbon steel
17	Stem nut	ASTM A439 D2	ASTM A439 D2	ASTM A439 D2	ASTM A439 D2	ASTM A439 D2
18	Yoke sleeve nut	Carbon steel	Carbon steel	Carbon steel	Carbon steel	Carbon steel
19	Hand wheel	Ductile iron	Ductile iron	Ductile iron	Ductile iron	Ductile iron
20	Hand wheel nut	Carbon steel	Carbon steel	Carbon steel	Carbon steel	Carbon steel
21	Set screw	ASTM A193 B7	ASTM A193 B7	ASTM A193 B7	ASTM A193 B7	ASTM A193 B7

### Notes:

1. The up-mentioned form has listed the most commonly used configurations of gate valve, and we will provide the other requested configurations according to actual operation conditions or customers' requirement.
2. Optional drive mode: hand wheel, gear drive, electric actuator,



## Outline & Connection Dimensions:

Pressure Grade	Size		Dimensions(mm)									
	NPS	DN	L		B	D	G	f	K	Z-φd	C	A
			RF	BW								
150LB	2	50	178	216	49	152	91.9	1.6	120.7	4-19.1	15.8	63
	2½	65	191	241	62	178	104.6	1.6	139.7	4-19.1	17.5	75
	3	80	203	283	74	191	127	1.6	152.4	4-19.1	19.1	91
	4	100	229	305	100	229	157.2	1.6	190.5	8-19.1	23.9	117
	5	125	267	403	150	279	215.9	1.6	241.3	8-22.2	25.4	172
	6	150	292	419	201	343	269.7	1.6	298.5	8-22.2	28.4	223
	8	200	330	457	252	406	323.9	1.6	362	12-25.4	30.2	278
	10	250	356	502	303	483	381	1.6	431.8	12-25.4	31.8	329
	12	300	381	572	334	533	412.8	1.6	476.2	12-28.6	35.1	362
	14	350	406	610	385	597	469.9	1.6	539.8	16-28.6	36.6	413
	16	400	432	660	436	635	533.4	1.6	577.9	16-31.8	39.6	464
	18	450	457	711	487	699	584.2	1.6	635	20-31.8	42.9	516
	20	500	508	813	589	813	692.2	1.6	749.3	20-31.8	47.8	619
	24	600	559	864	633	870	749.3	1.6	806.5	20-34.9	68.3	670
	26	650	610	914	684	927	800.1	1.6	863.6	28-34.9	71.4	721
	28	700	610/660	914	735	984	857.3	1.6	914.4	28-34.9	74.7	772
30	750	711	965	779	1060	914.4	1.6	977.9	28-41.3	80.8	825	
32	800	762	1016	830	1111	965.2	1.6	1028.7	32-41.3	82.6	876	
36	900	711/813	1016	874	1168	1022.4	1.6	1085.9	32-41.3	90.4	927	

## Pressure Grade: 300LB

Size		Dimensions (mm)														
NPS	DN	L			B	D	G	f	K	Z-φd	C	RTJ				A
		RF	RTJ	BW								Y	P	E	F	
2	50	216	232	216	49	165	91.9	1.6	127	8-19.1	22.4	108	82.55	7.92	11.91	63
2½	65	241	257	241	62	191	104.6	1.6	149.2	8-22.2	25.4	127	101.6	7.92	11.91	75
3	80	283	298	283	74	210	127	1.6	168.3	8-22.2	28.4	146	123.82	7.92	11.91	91
4	100	305	321	305	100	254	157.2	1.6	200.2	8-22.2	31.8	175	149.22	7.92	11.91	117
5	125	403	419	403	150	318	215.9	1.6	269.8	12-22.2	36.6	241	211.12	7.92	11.91	172
6	150	419	435	419	201	381	269.7	1.6	330.2	12-25.4	41.1	302	269.88	7.92	11.91	223
8	200	457	473	457	252	445	323.9	1.6	387.4	16-28.6	47.8	356	323.85	7.92	11.91	278
10	250	502	518	502	303	521	381	1.6	450.9	16-31.8	50.8	413	381	7.92	11.91	329
12	300	762	778	762	334	584	412.8	1.6	514.4	20-31.8	53.8	457	419.1	7.92	11.91	362
14	350	838	854	838	385	648	469.9	1.6	571.5	2-34.9	57.2	508	469.9	7.92	11.91	413
16	400	914	930	914	436	711	533.4	1.6	628.7	24-34.9	60.5	575	533.4	7.92	11.91	464
18	450	991	1010	991	487	775	584.2	1.6	685.8	24-34.9	63.5	635	584.2	9.52	13.49	516
20	500	1143	1165	1143	589	914	692.2	1.6	812.8	24-41.3	69.9	749	692.15	11.13	16.66	619
24	600	1245	1270	1245	633	972	749.3	1.6	876.3	28-44.5	79.2	809.8	749.3	12.7	19.84	670
26	650	1346	1372	1346	684	1035	800.1	1.6	939.8	28-44.5	85.9	860.6	800.1	12.7	19.84	721
28	700	1397	1422	1397	735	1092	857.3	1.6	997	28-47.6	91.9	917.4	857.25	12.7	19.84	772
30	750	1524	1553	1524	779	1149	914.4	1.6	1054.1	28-50.8	98.6	984.3	914.4	14.27	23.01	825
32	800	1626	1654	1626	830	1207	965.2	1.6	1104.9	28-50.8	101.6	1035.1	965.2	14.27	23.01	876
36	900	1727	1756	1727	874	1270	1022.4	1.6	1168.4	32-54	104.6	1092.2	1022.35	14.27	23.01	927



## Outline & Connection Dimensions:

Pressure Grade	Size		Dimensions(mm)														
	NPS	DN	L			B	D	G	f	K	Z-φd	C	RTJ				A
			RF	RTJ	BW								Y	P	E	F	
600LB	2	50	292	295	292	49	165	91.9	6.4	127	8-19.1	25.4	108	8255	7.92	11.91	63
	2½	65	330	333	330	62	191	104.6	6.4	149.2	8-22.2	28.4	127	101.6	7.92	11.91	75
	3	80	356	359	356	74	210	127	6.4	168.3	8-22.2	31.8	146	123.82	7.92	11.91	91
	4	100	432	435	432	100	273	157.2	6.4	215.9	8-25.4	38.1	175	149.22	7.92	11.91	117
	5	125	559	562	559	150	356	215.9	6.4	292.1	12-28.6	47.8	241	211.12	7.92	11.91	172
	6	150	660	664	660	201	419	269.7	6.4	349.2	12-31.8	55.6	302	269.88	7.92	11.91	223
	8	200	787	791	787	252	508	323.9	6.4	431.8	16-34.9	63.5	356	323.85	7.92	11.91	278
	10	250	838	841	838	303	559	381	6.4	489	20-34.9	66.5	413	381	7.92	11.91	329
	12	300	889	892	889	334	603	412.8	6.4	527.1	20-38.1	69.9	457	419.1	7.92	11.91	362
	14	350	991	994	991	385	686	469.9	6.4	603.2	20-41.3	76.2	508	469.9	7.92	11.91	413
	16	400	1092	1095	1092	436	743	533.4	6.4	654.1	20-44.5	82.6	575	533.4	7.92	11.91	464
	18	450	1194	1200	1194	487	813	584.2	6.4	723.9	24-44.5	88.9	635	584.2	9.52	13.49	516
	20	500	1397	1407	1397	589	940	692.2	6.4	838.2	24-50.8	101.6	749	692.15	11.13	16.66	619
	24	600	1448	1461	1448	633	1016	749.3	6.4	914.4	28-50.8	108	809.8	749.3	12.7	19.84	670
	26	650	1549	1562	1549	684	1073	800.1	6.4	965.2	28-54	111.3	860.6	800.1	12.7	19.84	721
	28	700	1651	1664	1651	735	1130	857.3	6.4	1022.4	28-54	114.3	917.4	857.25	12.7	19.84	772
	30	750	1778	1794	1778	779	1194	914.4	6.4	1079.5	28-60.3	117.3	984.3	914.4	14.27	23.01	825
32	800	1930	1946	1930	830	1245	965.2	6.4	1130.3	28-60.3	120.7	1035.1	965.2	14.27	23.01	876	
36	900	2083	2099	2083	874	1314	1022.4	6.4	1193.8	28-66.7	124	1092.2	1022.35	14.27	23.01	927	

## Pressure Grade: 900LB

Size		Dimensions (mm)														
NPS	DN	L			B	D	G	f	K	Z-φd	C	RTJ				A
		RF	RTJ	BW								Y	P	E	F	
2	50	368	371	368	49	216	91.9	6.4	165.1	8-25.4	38.1	124	95.25	7.92	11.91	63
2½	65	419	422	419	62	244	104.6	6.4	190.5	8-28.6	41.1	137	107.95	7.92	11.91	75
3	80	381	384	381	74	241	127	6.4	190.5	8-25.4	38.1	156	123.82	7.92	11.91	91
4	100	457	460	457	100	292	157.2	6.4	235	8-31.8	44.5	181	149.22	7.92	11.91	117
5	125	610	613	610	150	381	215.9	6.4	317.5	12-31.8	55.6	241	211.12	7.92	11.91	172
6	150	737	740	737	201	470	269.7	6.4	393.7	12-38.1	63.5	308	269.88	7.92	11.91	223
8	200	838	841	838	252	546	323.9	6.4	469.9	16-38.1	69.9	362	323.85	7.92	11.91	278
10	250	965	958	965	303	610	381	6.4	533.4	20-38.1	79.2	419	381	7.92	11.91	329
12	300	1029	1038	1029	322	641	412.8	6.4	558.8	20-41.3	85.9	467	419.1	11.13	16.66	362
14	350	1130	1140	1130	373	705	469.9	6.4	616	20-44.5	88.9	524	469.9	11.13	16.66	413
16	400	1219	1232	1219	423	787	533.4	6.4	685.8	20-50.8	101.6	594	533.4	12.7	19.84	464
18	450	1321	1334	1321	471	857	584.2	6.4	749.3	20-54	108	648	584.2	12.7	19.84	516
20	500	1549	1568	1549	570	1041	692.2	6.4	901.7	20-66.7	139.7	772	692.15	15.88	26.97	619
24	600	368	371	368	49	216	91.9	6.4	165.1	8-25.4	38.1	124	95.25	7.92	11.91	63

**Outline & Connection Dimensions:**

Pressure Grade	Size		Dimensions(mm)														
	NPS	DN	L			B	D	G	f	K	Z-φd	C	RTJ				A
			RF	RTJ	BW								Y	P	E	F	
1500LB	2	50	368	371	368	49	216	91.9	6.4	165.1	8-25.4	38.1	124	95.25	7.92	11.91	63
	2½	65	419	422	419	62	244	104.6	6.4	190.5	8-28.6	41.1	137	107.95	7.92	11.91	75
	3	80	470	473	470	74	267	127	6.4	203.2	8-31.8	47.8	168	136.52	7.92	11.91	91
	4	100	546	549	546	100	311	157.2	6.4	241.3	8-34.9	53.8	194	161.92	7.92	11.91	117
	6	150	705	711	705	144	394	215.9	6.4	317.5	12-38.1	82.6	248	211.12	9.52	13.49	172
	8	200	832	841	832	192	483	269.7	6.4	393.7	12-44.5	91.9	318	269.88	11.13	16.66	223
	10	250	991	1000	991	239	584	323.9	6.4	482.6	12-50.8	108	371	323.85	11.13	16.66	278
	12	300	1130	1146	1130	287	673	381	6.4	571.5	16-54	124	438	381	14.27	23.01	329
	14	350	1257	1276	1257	315	749	412.8	6.4	635	16-60.3	133.4	489	419.1	15.88	26.97	362
	16	400	1384	1407	1384	360	826	469.9	6.4	704.9	16-66.7	146.1	546	469.9	17.48	30.18	413
	18	450	1537	1559	1537	406	914	533.4	6.4	774.7	16-73	162.1	613	533.4	17.48	30.18	464
	20	500	1664	1686	1664	454	984	584.2	6.4	831.9	16-79.4	177.8	673	584.2	17.48	33.32	516
24	600	1972	1972	1943	546	1168	692.2	6.4	990.6	16-92	203.2	794	692.15	20.62	36.53	619	



## ● Flat Gate Valve (Parallel Single Disc Gate Valve)

### Basis Standards:

1. Design: API6D, API6A, ASME B 16.34
2. Face to face: API6D, ASME B 16.10
3. Flange standard: ASME B 16.5, MSS SP44
4. Butt weld standard: ASME B 16.25
5. Test standard: API 6D, API6A, API 598

### Structure Features:

1. using single gate, two types of structure with diversion hole and without diversion, structure with a diversion hole flow smoothly, suitable for oil and gas transmission;
2. Valve seat with O ring and float valve seat, it make inlet and outlet two way seal, the opening and closing torque is only half of normal valve;
3. When fully open with straight flow channel, minimum flow resistance coefficient;
4. Self seal packing structure, no need adjust and remain reliable seal; Gland box with auxiliary seal injection structure, really zero leakage;
5. When it is closed, it can automatically remove the high pressure inside the cavity;
6. Fully enclosed structure, good protection performance, can adapt to all-weather requirements.



Soft Seal

API 6A High Pres.

[The following data is for API 6D Flat Gate Valve.. data for API 6A is available on request.](#)

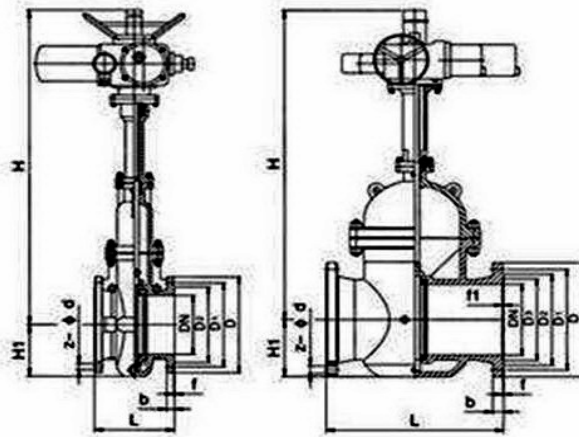
Applicable work pressure: Class150~900, PN1.0~16.0MPa;

Applicable work temperature: -29~121℃, especially the natural gas pipeline with high sulfur content.

### Materials List of Parts:

No.	Parts name	Normal type Materials		Sulfur resistant type Materials	
		GB	ASTM	GB	ASTM
1	Drain plug	25+Zn	A105+Zn	1Cr18Ni9	A276-304
2	Injection joint	25+Zn	A105+Zn	25+Zn	A105+Zn
3	Body	WCB	A216-WCB	WCB	A216-WCB
4	Disc	16Mn+ENP	A105+ENP	1Cr18Ni9	A276-304
5	Seat	16Mn+PTFE	A105+PTFE	1Cr18Ni9+PTFE	A276-304+PTFE
6	O-ring	NBR	NBR	FPM	FPM
7	Stem	2Cr13	A276-420	1Cr18Ni9	A276-304
8	Packing seat	2Cr13	A276-420	2Cr13	A276-420
9	Y-shape ring	NBR	NBR	FPM	FPM
10	Seal cartridge	2Cr13	A276-420	2Cr13	A276-420
11	Indicating arm	1Cr18Ni9			
12	Gasket	Flex. Graphite+1Cr18Ni9	Flex. Graphite +304	Flex. Graphite +1Cr18Ni9	Flex. Graphite +304
13	Bonnet	WCB	A216-WCB	WCB	A216-WCB
14	double-screw bolt	35CrMoA	A193-B7	35CrMoA	A193-B7
15	Nut	45	A194-2H	45	A194-2H
16	Yoke	WCB	A216-WCB	WCB	A216-WCB
17	Stem nut	ZQA19-4	C95500	ZQA19-4	C95500
18	Gland	25	A105	25	A105
19	Hand wheel	25	A536-60-40-18	25	A536-60-40-18
20	Indicator cover	25	A105	25	A105



**Outline & Connection dimensions:** (mm)

DN		150LB							
mm	Inch	L	D	D1	D2	b	n-φd	H	Do
50	2	178	152	120	92	19.0	4-φ19	584.2	250
80	3	203	190	152.4	127	24.0	4-φ19	679.5	250
100	4	229	229	190.5	157	24.0	8-φ19	863.6	250
150	6	267	279	241.3	216	25.4	8-φ22.5	1152.5	250
200	8	292	343	298.5	270	28.4	8-φ22.5	1330.3	350
250	10	330	406	362.0	324	30.2	12-φ25.4	1511.3	400
300	12	356	483	431.8	381	32.0	12-φ25.4	1743.1	450
350	14	381	533	476.3	413	35.0	12-φ29	1930.4	500
400	16	406	597	539.8	470	76.6	16-φ29	2105	600
450	18	432	635	577.9	533	39.6	16-φ32	2286	600
500	20	457	698	635.0	584	43.0?	20-φ32	2495.6	600
600	24	508	813	749.3	692	47.8	20-φ35	2870.2	600
700	28	610	837	795.3	762	44.5	40-φ22.5	3232.3	600
750	30	610	887	846	813	44.5	44-φ22.5	3460.8	600
900	36	711	1057	1009.7	972	52.3	44-φ25.4	3987.8	900
1000	40	812	1175	1120.6	1080	55.6	44-φ28.5	4368.8	900

DN		300LB							
mm	Inch	L	D	D1	D2	b	n-φd	H	Do
50	2	216	165	127.0	92	22.6	8-φ19	584.2	250
80	3	283	210	168.1	127	28.4	8-φ22.5	679.5	250
100	4	305	254	200.2	157	31.8	8-φ22.5	863.6	250
150	6	403	318	269.7	216	36.6	12-φ22.5	1152.6	350
200	8	419	381	330.2	270	41.2	12-φ25.4	1330.3	350
250	10	457	444	387.4	324	47.8	16-φ28.5	1511.3	400
300	12	502	521	450.8	381	50.8	16-φ32	1743.1	450
350	14	762	584	514.4	413	54.0	20-φ32	1920.9	500
400	16	838	648	571.5	470	57.2	20-φ35	2047.9	600
450	18	914	711	628.7	533	60.5	24-φ35	2235.2	600
500	20	991	775	685.8	584	63.5	24-φ35	2482.9	600
600	24	1143	914	812.8	692	70.0	24-φ41	2898.8	600
700	28	1346	921	857.3	787.4	90.0	36-φ35	3295.7	600
750	30	1397	991	902.8	844.6	93.7	36-φ38	3533.8	900
900	36	1727.2	1171.5	1089.2	1010	103	32-φ44.5	4089.4	900

**Outline & Connection dimensions:** (mm)

DN		600LB							
mm	Inch	L	D	D1	D2	b	n-φd	H	Do
50	2	292	165	127.0	92	25.4	8-φ19	590.6	250
80	3	356	210	168.1	127	31.8	8-φ22.5	685.8	250
100	4	432	273	216.0	157	38.1	8-φ22.5	793.8	250
150	6	559	356	292.1	216	47.8	12-φ22.5	1152.5	350
200	8	660	419	349.3	270	56	12-φ32	1431.9	350
250	10	787	508	431.8	324	63.5	16-φ35	1511.3	400
300	12	838	559	489.0	381	67	20-φ35	1749.4	450
350	14	889	603	527.0	413	70	20-φ38	1914.5	500
400	16	991	686	603.3	470	76.5	20-φ41	2120.9	600
450	18	1092	743	654.0	533	83	20-φ44.5	2324.1	600
500	20	1194	813	723.9	584	89	24-φ44.5	2552.7	600
600	24	1397	940	838.2	692	102	24-φ51	2997.2	600
700	28	1549.4	952.5	863.6	784.4	115.8	24-φ47.8	3403.6	900
750	30	1651	1022.4	927.1	841.3	125.5	28-φ50.8	3619.5	900

DN		900LB							
mm	Inch	L	D	D1	D2	b	n-φd	H	Do
50	2	371	216	165.0	95.3	46.0	8-φ25.4	590.6	250
80	3	384	241	190.5	123.8	46.0	8-φ25.4	685.8	250
100	4	460	292	235.0	149.2	52.4	8-φ32	793.8	250
150	6	613	381	317.5	211.1	63.6	12-φ32	1146.2	400
200	8	740	470	393.7	269.9	71.4	12-φ38	1425.6	400
250	10	841	546	469.9	323.9	77.8	16-φ38	1511.3	150
300	12	968	610	533.4	381.0	87.2	20-φ38	1962.2	500
350	14	1038	641	558.8	419.1	97.0	20-φ41	2022.5	600
400	16	1140	705	616	419.1	97.0	20-φ44	2219.3	600
450	18	1232	787	685.8	466.9	111.6	20-φ50	2462.2	600
500	20	1334	857	749.3	466.9	116	20-φ54		





## ● Knife Gate Valve

Model No: Z73/43/53H/ X/ Y

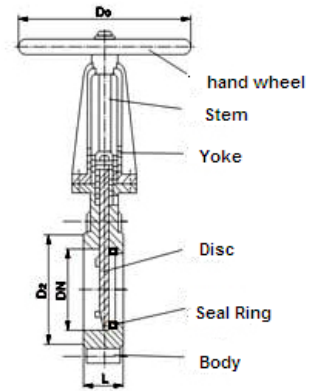
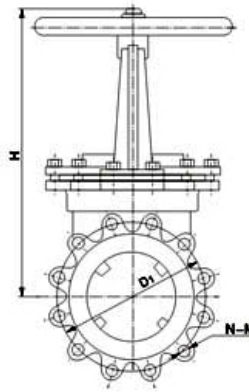


Wafer Type



Flange type

Lug type



### Technical parameters:

Design standard: ASME B16.34, GB;

Flange standard: ANSI B16.5, GB/T9113, and JIS.....

Nominal Pressure: 150LB PN10;

Nominal Diameter: 2"-48"

Applicable Temperature: -38~650°C;

Seal style: Metal seal, Soft seal;

Leakage standard: Grade D, Metal seal (Liquid  $0.1 \times DN$  mm<sup>3</sup>/s);

Grade A, Soft seal (zero leakage);

Drive style: Manual, pneumatic, Electric, Bevel gear, Chain wheel,  
Electro-hydraulic drive

### Materials List of Parts:

Body, Bonnet	Plate	Stem	Seal Face
Stainless steel, carbon steel, grey cast iron	Stainless steel, carbon steel	Stainless steel	Rubber, PTFE, Stainless steel, Hard metal

### Test Specification:

PN	Shell Test	Seal Test	Work Temp.	Applicable Medium
1.0 MPa	1.5 MPa	1.1 MPa	≤100°C	Sewage, sludge, ash, ore sand, slag, coal slime, paper pulp, wood pulp, tailings etc.
1.6 MPa	2.4 MPa	1.8 MPa	≤425°C	

### Valve features:

1. Reasonable design, compact structure, light weight and save material, easy to install and dismantle, Flexible operation ;
2. Reliable seal, medium smoothly flow in the pipeline;
3. The gate plate has the shearing function, and can scrape the adhesives on the sealing surface, and remove the sundries automatically.

**Reference Outline Dimensions:** (mm)

LB	DN	L	D	D1	D2	H	N-M	D0
<b>PN10 150LB</b>	50	43	160	125	100	285	4-M16	180
	65	46	180	145	120	298	4-M16	180
	80	46	195	160	135	315	4-M16	220
	100	52	215	180	155	365	8-M16	220
	125	56	245	210	185	400	8-M16	230
	150	56	280	240	210	475	8-M20	280
	200	60	335	295	265	540	8-M20	360
	250	68	390	350	320	630	12-M20	360
	300	78	440	400	368	780	12-M20	400
	350	78	500	460	428	885	16-M20	400
	400	102	565	515	482	990	16-M22	400
	450	114	615	565	532	1100	20-M22	530
	500	127	670	620	585	1200	20-M22	530
	600	154	780	725	685	1450	20-M27	600
	700	165	895	840	800	1700	24-M27	600
	800	190	1010	950	898	2000	24-M30	680
	900	203	1110	1050	1005	2300	28-M30	680
	1000	216	1220	1160	1115	2500	28-M30	700
1200	254	1450	1380	1325	2800	32-M36	800	

## Please Note:

1. This catalogue mainly covers the valve of API standards; please contact us for other standards.
2. The sizes in this catalogue are just for your reference, they are subject to our final confirmation.
3. The other sizes and dimensions not shown in this catalogue, please contact our sales department.