

● Flat Gate Valve

Model No: Z43F

Basis Standards:

1. Design: API6D, API6A, ASME B 16.34
2. Face to face: API6D, ASME B 16.10
3. Flange standard: ASME B 16.5, MSS SP44
4. Butt weld standard: ASME B 16.25
5. Test standard: API 6D, API6A, API 598

Structure Features:

1. using single gate, two types of structure with diversion hole and without diversion, structure with a diversion hole flow smoothly, suitable for oil and gas transmission;
2. Valve seat with O ring and float valve seat, it make inlet and outlet two way seal, the opening and closing torque is only half of normal valve;
3. When fully open with straight flow channel, minimum flow resistance coefficient;
4. Self seal packing structure, no need adjust and remain reliable seal; Gland box with auxiliary seal injection structure, really zero leakage;
5. When it is closed, it can automatically remove the high pressure inside the cavity;
6. Fully enclosed structure, good protection performance, can adapt to all-weather requirements.



Soft Seal

API 6A High Pres.

[The following data is for API 6D Flat Gate Valve, data for API 6A is available on request.](#)

Applicable work pressure: Class150~900, PN1.0~16.0MPa;

Applicable work temperature: -29~121℃, especially the natural gas pipeline with high sulfur content.

| No. | Parts name | Materials | | | |
|-----|-----------------|-------------|-----------|-----------------------|---------------|
| | | Normal type | | Sulfur resistant type | |
| | | GB | ASTM | GB | ASTM |
| 1 | Drain plug | 25+Zn | A105+Zn | 1Cr18Ni9 | A276-304 |
| 2 | Injection joint | 25+Zn | A105+Zn | 25+Zn | A105+Zn |
| 3 | Body | WCB | A216-WCB | WCB | A216-WCB |
| 4 | Disc | 16Mn+ENP | A105+ENP | 1Cr18Ni9 | A276-304 |
| 5 | Seat | 16Mn+PTFE | A105+PTFE | 1Cr18Ni9+PTFE | A276-304+PTFE |
| 6 | O-ring | NBR | NBR | FPM | FPM |
| 7 | Stem | 2Cr13 | A276-420 | 1Cr18Ni9 | A276-304 |
| 8 | Packing seat | 2Cr13 | A276-420 | 2Cr13 | A276-420 |
| 9 | Y-shape ring | NBR | NBR | FPM | FPM |

Add.: No. 806, Binhai 4th Avenue, Longwan District, Wenzhou City, China

Tel: +86 577 8682 1368 Fax: +86 577 86815502 / 86815501

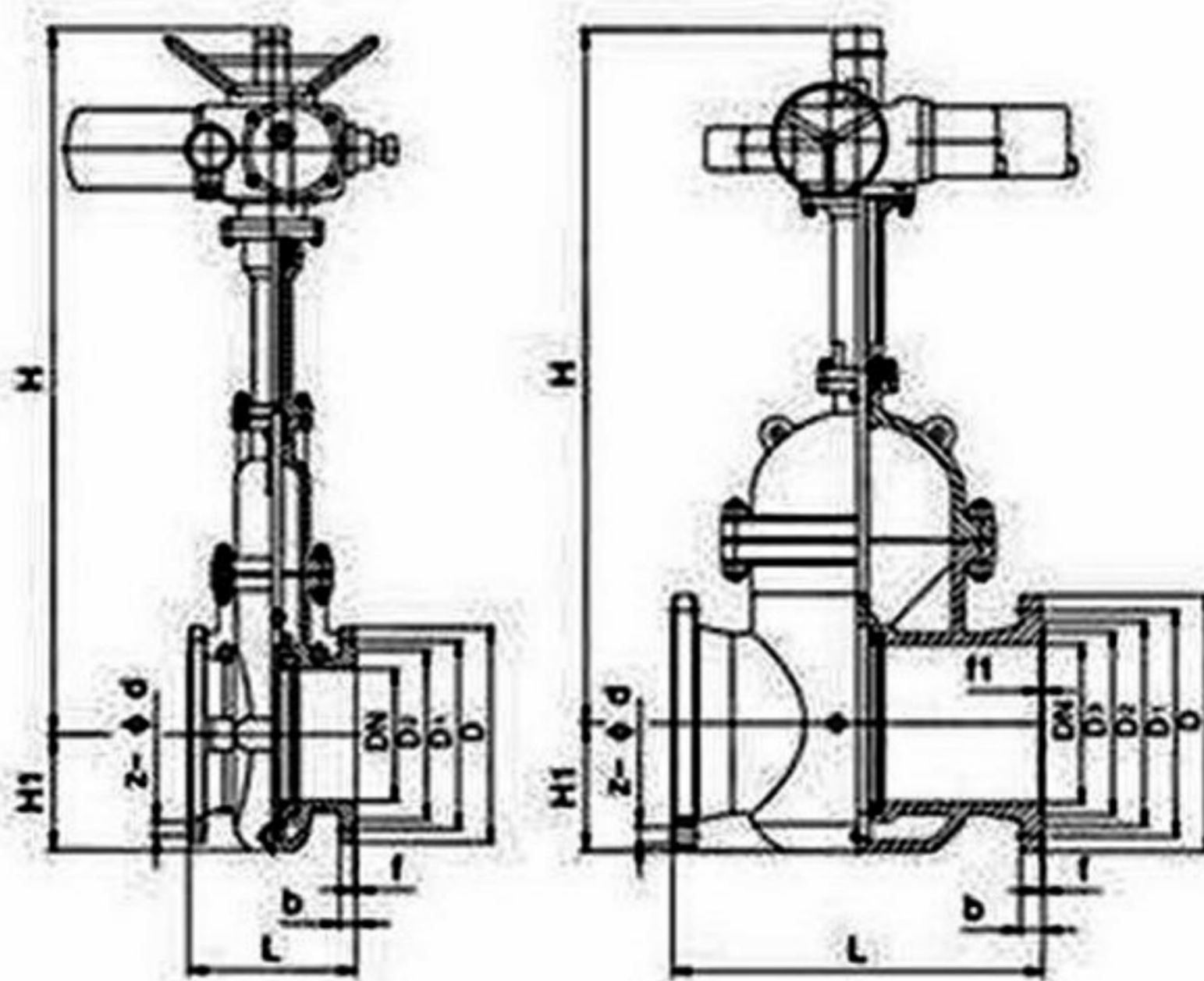
E-mail: sales4@jinggongvalve.com jg.valve@qq.com Website: jinggongvalve.com



JINGGONG VALVE

China. Jinggong Valve Co., Ltd.

| | | | | | |
|----|-------------------|-------------------------|---------------------|--------------------------|---------------------|
| 10 | Seal cartridge | 2Cr13 | A276-420 | 2Cr13 | A276-420 |
| 11 | Indicating arm | 1Cr18Ni9 | | | |
| 12 | Gasket | Flex. Graphite+1Cr18Ni9 | Flex. Graphite +304 | Flex. Graphite +1Cr18Ni9 | Flex. Graphite +304 |
| 13 | Bonnet | WCB | A216-WCB | WCB | A216-WCB |
| 14 | double-screw bolt | 35CrMoA | A193-B7 | 35CrMoA | A193-B7 |
| 15 | Nut | 45 | A194-2H | 45 | A194-2H |
| 16 | Yoke | WCB | A216-WCB | WCB | A216-WCB |
| 17 | Stem nut | ZQA19-4 | C95500 | ZQA19-4 | C95500 |
| 18 | Gland | 25 | A105 | 25 | A105 |
| 19 | Hand wheel | 25 | A536-60-40-18 | 25 | A536-60-40-18 |
| 20 | Indicator cover | 25 | A105 | 25 | A105 |



Connection dimensions: (mm)

| DN | | 150LB | | | | | | | |
|-----|------|-------|-----|-------|-----|------|----------|--------|-----|
| mm | Inch | L | D | D1 | D2 | b | n-φd | H | Do |
| 50 | 2 | 178 | 152 | 120 | 92 | 19.0 | 4-φ19 | 584.2 | 250 |
| 80 | 3 | 203 | 190 | 152.4 | 127 | 24.0 | 4-φ19 | 679.5 | 250 |
| 100 | 4 | 229 | 229 | 190.5 | 157 | 24.0 | 8-φ19 | 863.6 | 250 |
| 150 | 6 | 267 | 279 | 241.3 | 216 | 25.4 | 8-φ22.5 | 1152.5 | 250 |
| 200 | 8 | 292 | 343 | 298.5 | 270 | 28.4 | 8-φ22.5 | 1330.3 | 350 |
| 250 | 10 | 330 | 406 | 362.0 | 324 | 30.2 | 12-φ25.4 | 1511.3 | 400 |
| 300 | 12 | 356 | 483 | 431.8 | 381 | 32.0 | 12-φ25.4 | 1743.1 | 450 |

Add.: No. 806, Binhai 4th Avenue, Longwan District, Wenzhou City, China

Tel: +86 577 8682 1368 Fax: +86 577 86815502 / 86815501

E-mail: sales4@jinggongvalve.com jg.valve@qq.com Website: jinggongvalve.com



JINGGONG VALVE

China. Jinggong Valve Co., Ltd.

| | | | | | | | | | |
|------|----|-----|------|--------|------|-------|----------|--------|-----|
| 350 | 14 | 381 | 533 | 476.3 | 413 | 35.0 | 12-φ29 | 1930.4 | 500 |
| 400 | 16 | 406 | 597 | 539.8 | 470 | 76.6 | 16-φ29 | 2105 | 600 |
| 450 | 18 | 432 | 635 | 577.9 | 533 | 39.6 | 16-φ32 | 2286 | 600 |
| 500 | 20 | 457 | 698 | 635.0 | 584 | 43.0? | 20-φ32 | 2495.6 | 600 |
| 600 | 24 | 508 | 813 | 749.3 | 692 | 47.8 | 20-φ35 | 2870.2 | 600 |
| 700 | 28 | 610 | 837 | 795.3 | 762 | 44.5 | 40-φ22.5 | 3232.3 | 600 |
| 750 | 30 | 610 | 887 | 846 | 813 | 44.5 | 44-φ22.5 | 3460.8 | 600 |
| 900 | 36 | 711 | 1057 | 1009.7 | 972 | 52.3 | 44-φ25.4 | 3987.8 | 900 |
| 1000 | 40 | 812 | 1175 | 1120.6 | 1080 | 55.6 | 44-φ28.5 | 4368.8 | 900 |

| DN | | 300LB | | | | | | | |
|-----|------|--------|--------|--------|-------|------|----------|--------|-----|
| mm | Inch | L | D | D1 | D2 | b | n-φd | H | Do |
| 50 | 2 | 216 | 165 | 127.0 | 92 | 22.6 | 8-φ19 | 584.2 | 250 |
| 80 | 3 | 283 | 210 | 168.1 | 127 | 28.4 | 8-φ22.5 | 679.5 | 250 |
| 100 | 4 | 305 | 254 | 200.2 | 157 | 31.8 | 8-φ22.5 | 863.6 | 250 |
| 150 | 6 | 403 | 318 | 269.7 | 216 | 36.6 | 12-φ22.5 | 1152.6 | 350 |
| 200 | 8 | 419 | 381 | 330.2 | 270 | 41.2 | 12-φ25.4 | 1330.3 | 350 |
| 250 | 10 | 457 | 444 | 387.4 | 324 | 47.8 | 16-φ28.5 | 1511.3 | 400 |
| 300 | 12 | 502 | 521 | 450.8 | 381 | 50.8 | 16-φ32 | 1743.1 | 450 |
| 350 | 14 | 762 | 584 | 514.4 | 413 | 54.0 | 20-φ32 | 1920.9 | 500 |
| 400 | 16 | 838 | 648 | 571.5 | 470 | 57.2 | 20-φ35 | 2047.9 | 600 |
| 450 | 18 | 914 | 711 | 628.7 | 533 | 60.5 | 24-φ35 | 2235.2 | 600 |
| 500 | 20 | 991 | 775 | 685.8 | 584 | 63.5 | 24-φ35 | 2482.9 | 600 |
| 600 | 24 | 1143 | 914 | 812.8 | 692 | 70.0 | 24-φ41 | 2898.8 | 600 |
| 700 | 28 | 1346 | 921 | 857.3 | 787.4 | 90.0 | 36-φ35 | 3295.7 | 600 |
| 750 | 30 | 1397 | 991 | 902.8 | 844.6 | 93.7 | 36-φ38 | 3533.8 | 900 |
| 900 | 36 | 1727.2 | 1171.5 | 1089.2 | 1010 | 103 | 32-φ44.5 | 4089.4 | 900 |

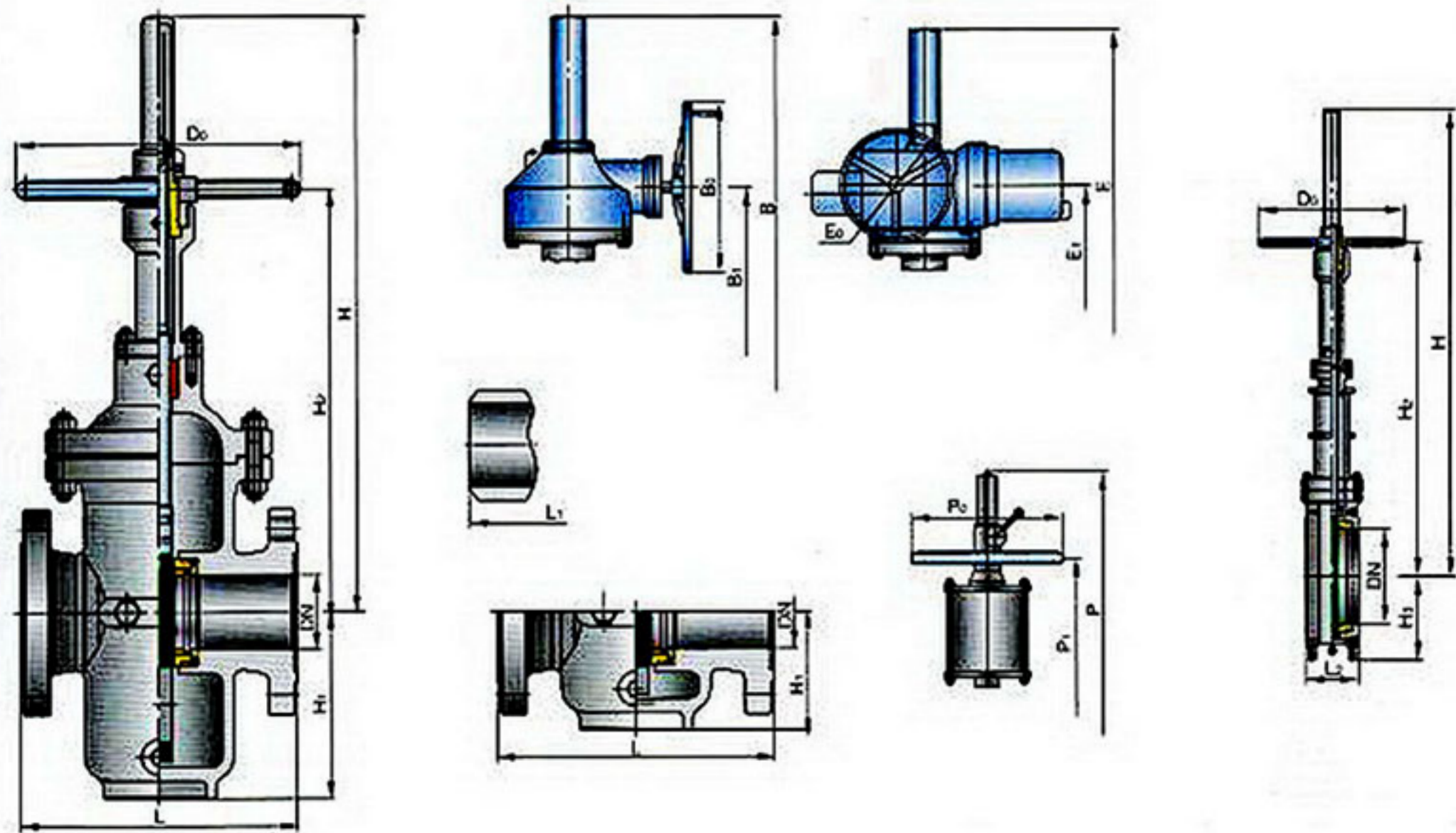
| DN | | 600LB | | | | | | | |
|-----|------|--------|--------|-------|-------|-------|----------|--------|-----|
| mm | Inch | L | D | D1 | D2 | b | n-φd | H | Do |
| 50 | 2 | 292 | 165 | 127.0 | 92 | 25.4 | 8-φ19 | 590.6 | 250 |
| 80 | 3 | 356 | 210 | 168.1 | 127 | 31.8 | 8-φ22.5 | 685.8 | 250 |
| 100 | 4 | 432 | 273 | 216.0 | 157 | 38.1 | 8-φ22.5 | 793.8 | 250 |
| 150 | 6 | 559 | 356 | 292.1 | 216 | 47.8 | 12-φ22.5 | 1152.5 | 350 |
| 200 | 8 | 660 | 419 | 349.3 | 270 | 56 | 12-φ32 | 1431.9 | 350 |
| 250 | 10 | 787 | 508 | 431.8 | 324 | 63.5 | 16-φ35 | 1511.3 | 400 |
| 300 | 12 | 838 | 559 | 489.0 | 381 | 67 | 20-φ35 | 1749.4 | 450 |
| 350 | 14 | 889 | 603 | 527.0 | 413 | 70 | 20-φ38 | 1914.5 | 500 |
| 400 | 16 | 991 | 686 | 603.3 | 470 | 76.5 | 20-φ41 | 2120.9 | 600 |
| 450 | 18 | 1092 | 743 | 654.0 | 533 | 83 | 20-φ44.5 | 2324.1 | 600 |
| 500 | 20 | 1194 | 813 | 723.9 | 584 | 89 | 24-φ44.5 | 2552.7 | 600 |
| 600 | 24 | 1397 | 940 | 838.2 | 692 | 102 | 24-φ51 | 2997.2 | 600 |
| 700 | 28 | 1549.4 | 952.5 | 863.6 | 784.4 | 115.8 | 24-φ47.8 | 3403.6 | 900 |
| 750 | 30 | 1651 | 1022.4 | 927.1 | 841.3 | 125.5 | 28-φ50.8 | 3619.5 | 900 |

Add.: No. 806, Binhai 4th Avenue, Longwan District, Wenzhou City, China

Tel: +86 577 8682 1368 Fax: +86 577 86815502 / 86815501

E-mail: sales4@jinggongvalve.com jg.valve@qq.com Website: jinggongvalve.com

| DN | | 900LB | | | | | | | |
|-----|------|-------|-----|-------|-------|-------|---------|--------|-----|
| mm | Inch | L | D | D1 | D2 | b | n-φd | H | Do |
| 50 | 2 | 371 | 216 | 165.0 | 95.3 | 46.0 | 8-φ25.4 | 590.6 | 250 |
| 80 | 3 | 384 | 241 | 190.5 | 123.8 | 46.0 | 8-φ25.4 | 685.8 | 250 |
| 100 | 4 | 460 | 292 | 235.0 | 149.2 | 52.4 | 8-φ32 | 793.8 | 250 |
| 150 | 6 | 613 | 381 | 317.5 | 211.1 | 63.6 | 12-φ32 | 1146.2 | 400 |
| 200 | 8 | 740 | 470 | 393.7 | 269.9 | 71.4 | 12-φ38 | 1425.6 | 400 |
| 250 | 10 | 841 | 546 | 469.9 | 323.9 | 77.8 | 16-φ38 | 1511.3 | 150 |
| 300 | 12 | 968 | 610 | 533.4 | 381.0 | 87.2 | 20-φ38 | 1962.2 | 500 |
| 350 | 14 | 1038 | 641 | 558.8 | 419.1 | 97.0 | 20-φ41 | 2022.5 | 600 |
| 400 | 16 | 1140 | 705 | 616 | 419.1 | 97.0 | 20-φ44 | 2219.3 | 600 |
| 450 | 18 | 1232 | 787 | 685.8 | 466.9 | 111.6 | 20-φ50 | 2462.2 | 600 |
| 500 | 20 | 1334 | 857 | 749.3 | 466.9 | 116 | 20-φ54 | | |



Main outline dimensions: mm

| DN mm | NPS in | FLG | Butt weld | L-T | Manual | | | Gear drive | | |
|----------|-----------|-----|-----------|-----|--------|-----|-----|------------|----|----|
| | | L | L1 | L2 | H | H2 | D0 | B | B1 | B0 |
| 25 | 1 | 127 | 127 | - | 360 | 250 | 180 | - | - | - |
| 32 | 1 1/4 | 140 | 140 | - | 375 | 260 | 180 | - | - | - |
| 40 | 1 1/2 | 165 | 165 | - | 410 | 290 | 250 | - | - | - |
| 50 | 2 | 178 | 216 | - | 450 | 315 | 250 | - | - | - |

Add.: No. 806, Binhai 4th Avenue, Longwan District, Wenzhou City, China

Tel: +86 577 8682 1368 Fax: +86 577 86815502 / 86815501

E-mail: sales4@jinggongvalve.com jg.valve@qq.com Website: jinggongvalve.com



JINGGONG VALVE

China. Jinggong Valve Co., Ltd.

| | | | | | | | | | | |
|------|------|-----|------|-----|------|------|------|------|------|-----|
| 65 | 21/2 | 190 | 241 | - | 550 | 420 | 300 | - | - | - |
| 80 | 3 | 203 | 283 | - | 610 | 428 | 300 | - | - | - |
| 100 | 4 | 229 | 305 | 150 | 700 | 494 | 300 | 770 | 650 | 310 |
| 150 | 6 | 267 | 403 | 150 | 895 | 625 | 350 | 965 | 800 | 310 |
| 200 | 8 | 292 | 419 | 180 | 1130 | 784 | 350 | 1200 | 960 | 310 |
| 250 | 10 | 330 | 457 | 180 | 1290 | 937 | 400 | 1360 | 1080 | 310 |
| 300 | 12 | 356 | 502 | 200 | 1480 | 1080 | 450 | 1560 | 1200 | 310 |
| 350 | 14 | 381 | 572 | 200 | 1660 | 1283 | 500 | 1740 | 1350 | 460 |
| 400 | 16 | 406 | 610 | 218 | 1850 | 1417 | 500 | 1930 | 1500 | 460 |
| 450 | 18 | 432 | 660 | 218 | 2080 | 1489 | 600 | 2160 | 1680 | 460 |
| 500 | 20 | 457 | 711 | 229 | 2300 | 1672 | 700 | 2420 | 1850 | 460 |
| 600 | 24 | 508 | 813 | 248 | 2680 | 2012 | 800 | 2800 | 2120 | 460 |
| 700 | 28 | 610 | 914 | 286 | 3080 | 2250 | 800 | 3200 | 2450 | 460 |
| 800 | 32 | 660 | 965 | 286 | 3491 | 2550 | 1000 | 3640 | 2800 | 460 |
| 900 | 36 | 711 | 1016 | - | 3897 | 2850 | 1000 | 4050 | 3080 | 600 |
| 1000 | 40 | 811 | - | - | 4317 | 3250 | 1200 | 4467 | 3400 | 600 |

| DN mm | Gear type | Pneumatic/Hydraulic drive | | | Electric drive | | | Electric type | Ngh H3 | Guide Hole H1 |
|----------|--------------|---------------------------|------|-----|----------------|------|-----|------------------|-----------|---------------------|
| | | P | P1 | P0 | E | E1 | E0 | | | |
| 25 | - | - | - | -- | - | - | - | - | 60 | 85 |
| 32 | - | - | - | -- | - | - | - | - | 71 | 103 |
| 40 | - | - | - | -- | - | - | - | - | 75 | 115 |
| 50 | - | 525 | 430 | 250 | - | - | - | - | 85 | 122 |
| 65 | - | 648 | 560 | 300 | - | - | - | - | 91 | 154 |
| 80 | - | 730 | 630 | 300 | - | - | - | - | 109 | 169 |
| 100 | BA-0 | 850 | 720 | 300 | 912 | 790 | 200 | SMC-04 | 121 | 193 |
| 150 | BA-0 | 1120 | 920 | 350 | 1107 | 920 | 500 | SMC-03 | 178 | 283 |
| 200 | BA-0 | 1430 | 1160 | 350 | 1390 | 1120 | 500 | SMC-03 | 211 | 352 |
| 250 | BA-0 | 1665 | 1380 | 400 | 1550 | 1250 | 500 | SMC-03 | 215 | 440 |
| 300 | BA-0 | 1930 | 1550 | 450 | 1740 | 1400 | 305 | SMC-00 | 245 | 514 |
| 350 | BA-1 | 2185 | 1750 | 450 | 1913 | 1550 | 305 | SMC-00 | 280 | 602 |
| 400 | BA-1 | 2450 | 2000 | 500 | 2103 | 1620 | 305 | SMC-00 | 310 | 678 |
| 450 | BA-1 | 2755 | 2250 | 500 | 2365 | 1830 | 305 | SMC-0 | 346 | 785 |
| 500 | BA-1 | 3050 | 2450 | 600 | 2585 | 1980 | 305 | SMC-0 | 363 | 855 |
| 600 | BA-2 | 3580 | 2900 | 800 | 2990 | 2300 | 305 | SMC-1 | 442 | 1045 |
| 700 | BA-2 | 4130 | 3350 | 800 | 3390 | 2600 | 305 | SMC-1 | 505 | 1190 |
| 800 | BA-2 | - | - | - | 3850 | 2980 | 305 | SMC-1 | 560 | 1350 |
| 900 | BA-3 | - | - | - | 4260 | 3200 | 458 | SMC-2 | 610 | 1510 |
| 1000 | BA-3 | - | - | - | 4677 | 3600 | 458 | SMC-2 | 715 | 1715 |

Remark: FLG=Flange, L-T=Light type, Ngh=No guide hole;

Add.: No. 806, Binhai 4th Avenue, Longwan District, Wenzhou City, China

Tel: +86 577 8682 1368 Fax: +86 577 86815502 / 86815501

E-mail: sales4@jinggongvalve.com jg.valve@qq.com Website: jinggongvalve.com