

## ● Flat Gate Valve

Model No: Z43F

### Basis Standards:

1. Design: API6D, API6A, ASME B 16.34
2. Face to face: API6D, ASME B 16.10
3. Flange standard: ASME B 16.5, MSS SP44
4. Butt weld standard: ASME B 16.25
5. Test standard: API 6D, API6A, API 598

### Structure Features:

1. using single gate, two types of structure with diversion hole and without diversion, structure with a diversion hole flow smoothly, suitable for oil and gas transmission;
2. Valve seat with O ring and float valve seat, it make inlet and outlet two way seal, the opening and closing torque is only half of normal valve;
3. When fully open with straight flow channel, minimum flow resistance coefficient;
4. Self seal packing structure, no need adjust and remain reliable seal; Gland box with auxiliary seal injection structure, really zero leakage;
5. When it is closed, it can automatically remove the high pressure inside the cavity;
6. Fully enclosed structure, good protection performance, can adapt to all-weather requirements.



Soft Seal

API 6A High Pres.

[The following data is for API 6D Flat Gate Valve, data for API 6A is available on request.](#)

Applicable work pressure: Class150~900, PN1.0~16.0MPa;

Applicable work temperature: -29~121℃, especially the natural gas pipeline with high sulfur content.

No.	Parts name	Materials			
		Normal type		Sulfur resistant type	
		GB	ASTM	GB	ASTM
1	Drain plug	25+Zn	A105+Zn	1Cr18Ni9	A276-304
2	Injection joint	25+Zn	A105+Zn	25+Zn	A105+Zn
3	Body	WCB	A216-WCB	WCB	A216-WCB
4	Disc	16Mn+ENP	A105+ENP	1Cr18Ni9	A276-304
5	Seat	16Mn+PTFE	A105+PTFE	1Cr18Ni9+PTFE	A276-304+PTFE
6	O-ring	NBR	NBR	FPM	FPM
7	Stem	2Cr13	A276-420	1Cr18Ni9	A276-304
8	Packing seat	2Cr13	A276-420	2Cr13	A276-420
9	Y-shape ring	NBR	NBR	FPM	FPM

Add.: No. 806, Binhai 4th Avenue, Longwan District, Wenzhou City, China

Tel: +86 577 8682 1368 Fax: +86 577 86815502 / 86815501

E-mail: [sales4@jinggongvalve.com](mailto:sales4@jinggongvalve.com) [jg.valve@qq.com](mailto:jg.valve@qq.com) Website: [jinggongvalve.com](http://jinggongvalve.com)

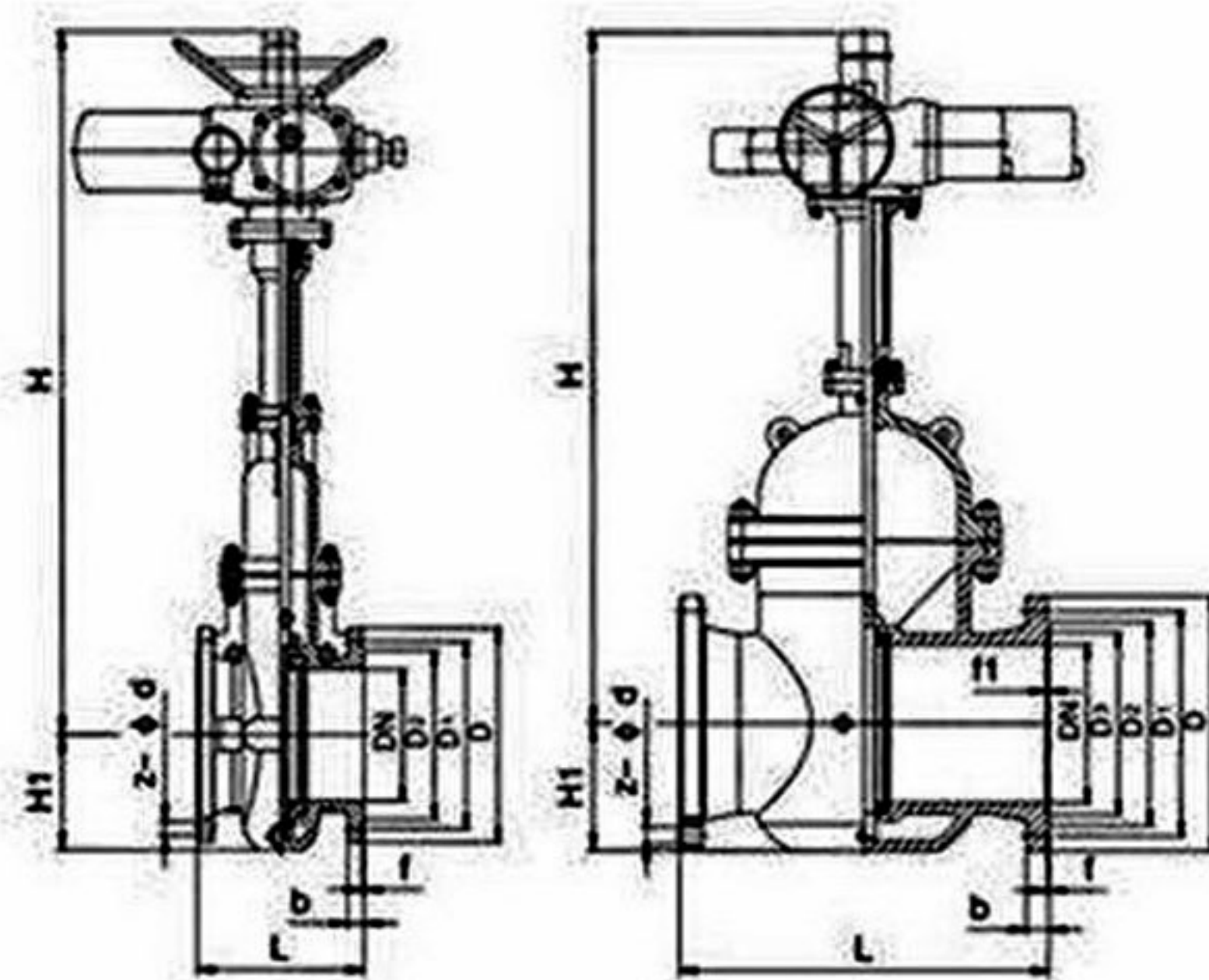




JINGGONG VALVE

# China. Jinggong Valve Co., Ltd.

10	Seal cartridge	2Cr13	A276-420	2Cr13	A276-420
11	Indicating arm	1Cr18Ni9			
12	Gasket	Flex. Graphite+1Cr18Ni9	Flex. Graphite +304	Flex. Graphite +1Cr18Ni9	Flex. Graphite +304
13	Bonnet	WCB	A216-WCB	WCB	A216-WCB
14	double-screw bolt	35CrMoA	A193-B7	35CrMoA	A193-B7
15	Nut	45	A194-2H	45	A194-2H
16	Yoke	WCB	A216-WCB	WCB	A216-WCB
17	Stem nut	ZQA19-4	C95500	ZQA19-4	C95500
18	Gland	25	A105	25	A105
19	Hand wheel	25	A536-60-40-18	25	A536-60-40-18
20	Indicator cover	25	A105	25	A105



**Connection dimensions: (mm)**

DN		150LB							
mm	Inch	L	D	D1	D2	b	n-φd	H	Do
50	2	178	152	120	92	19.0	4-φ19	584.2	250
80	3	203	190	152.4	127	24.0	4-φ19	679.5	250
100	4	229	229	190.5	157	24.0	8-φ19	863.6	250
150	6	267	279	241.3	216	25.4	8-φ22.5	1152.5	250
200	8	292	343	298.5	270	28.4	8-φ22.5	1330.3	350
250	10	330	406	362.0	324	30.2	12-φ25.4	1511.3	400
300	12	356	483	431.8	381	32.0	12-φ25.4	1743.1	450

Add.: No. 806, Binhai 4th Avenue, Longwan District, Wenzhou City, China

Tel: +86 577 8682 1368 Fax: +86 577 86815502 / 86815501

E-mail: [sales4@jinggongvalve.com](mailto:sales4@jinggongvalve.com) [jg.valve@qq.com](mailto:jg.valve@qq.com) Website: [jinggongvalve.com](http://jinggongvalve.com)





JINGGONG VALVE

# China. Jinggong Valve Co., Ltd.

350	14	381	533	476.3	413	35.0	12-φ29	1930.4	500
400	16	406	597	539.8	470	76.6	16-φ29	2105	600
450	18	432	635	577.9	533	39.6	16-φ32	2286	600
500	20	457	698	635.0	584	43.0?	20-φ32	2495.6	600
600	24	508	813	749.3	692	47.8	20-φ35	2870.2	600
700	28	610	837	795.3	762	44.5	40-φ22.5	3232.3	600
750	30	610	887	846	813	44.5	44-φ22.5	3460.8	600
900	36	711	1057	1009.7	972	52.3	44-φ25.4	3987.8	900
1000	40	812	1175	1120.6	1080	55.6	44-φ28.5	4368.8	900

DN		300LB							
mm	Inch	L	D	D1	D2	b	n-φd	H	Do
50	2	216	165	127.0	92	22.6	8-φ19	584.2	250
80	3	283	210	168.1	127	28.4	8-φ22.5	679.5	250
100	4	305	254	200.2	157	31.8	8-φ22.5	863.6	250
150	6	403	318	269.7	216	36.6	12-φ22.5	1152.6	350
200	8	419	381	330.2	270	41.2	12-φ25.4	1330.3	350
250	10	457	444	387.4	324	47.8	16-φ28.5	1511.3	400
300	12	502	521	450.8	381	50.8	16-φ32	1743.1	450
350	14	762	584	514.4	413	54.0	20-φ32	1920.9	500
400	16	838	648	571.5	470	57.2	20-φ35	2047.9	600
450	18	914	711	628.7	533	60.5	24-φ35	2235.2	600
500	20	991	775	685.8	584	63.5	24-φ35	2482.9	600
600	24	1143	914	812.8	692	70.0	24-φ41	2898.8	600
700	28	1346	921	857.3	787.4	90.0	36-φ35	3295.7	600
750	30	1397	991	902.8	844.6	93.7	36-φ38	3533.8	900
900	36	1727.2	1171.5	1089.2	1010	103	32-φ44.5	4089.4	900

DN		600LB							
mm	Inch	L	D	D1	D2	b	n-φd	H	Do
50	2	292	165	127.0	92	25.4	8-φ19	590.6	250
80	3	356	210	168.1	127	31.8	8-φ22.5	685.8	250
100	4	432	273	216.0	157	38.1	8-φ22.5	793.8	250
150	6	559	356	292.1	216	47.8	12-φ22.5	1152.5	350
200	8	660	419	349.3	270	56	12-φ32	1431.9	350
250	10	787	508	431.8	324	63.5	16-φ35	1511.3	400
300	12	838	559	489.0	381	67	20-φ35	1749.4	450
350	14	889	603	527.0	413	70	20-φ38	1914.5	500
400	16	991	686	603.3	470	76.5	20-φ41	2120.9	600
450	18	1092	743	654.0	533	83	20-φ44.5	2324.1	600
500	20	1194	813	723.9	584	89	24-φ44.5	2552.7	600
600	24	1397	940	838.2	692	102	24-φ51	2997.2	600
700	28	1549.4	952.5	863.6	784.4	115.8	24-φ47.8	3403.6	900
750	30	1651	1022.4	927.1	841.3	125.5	28-φ50.8	3619.5	900

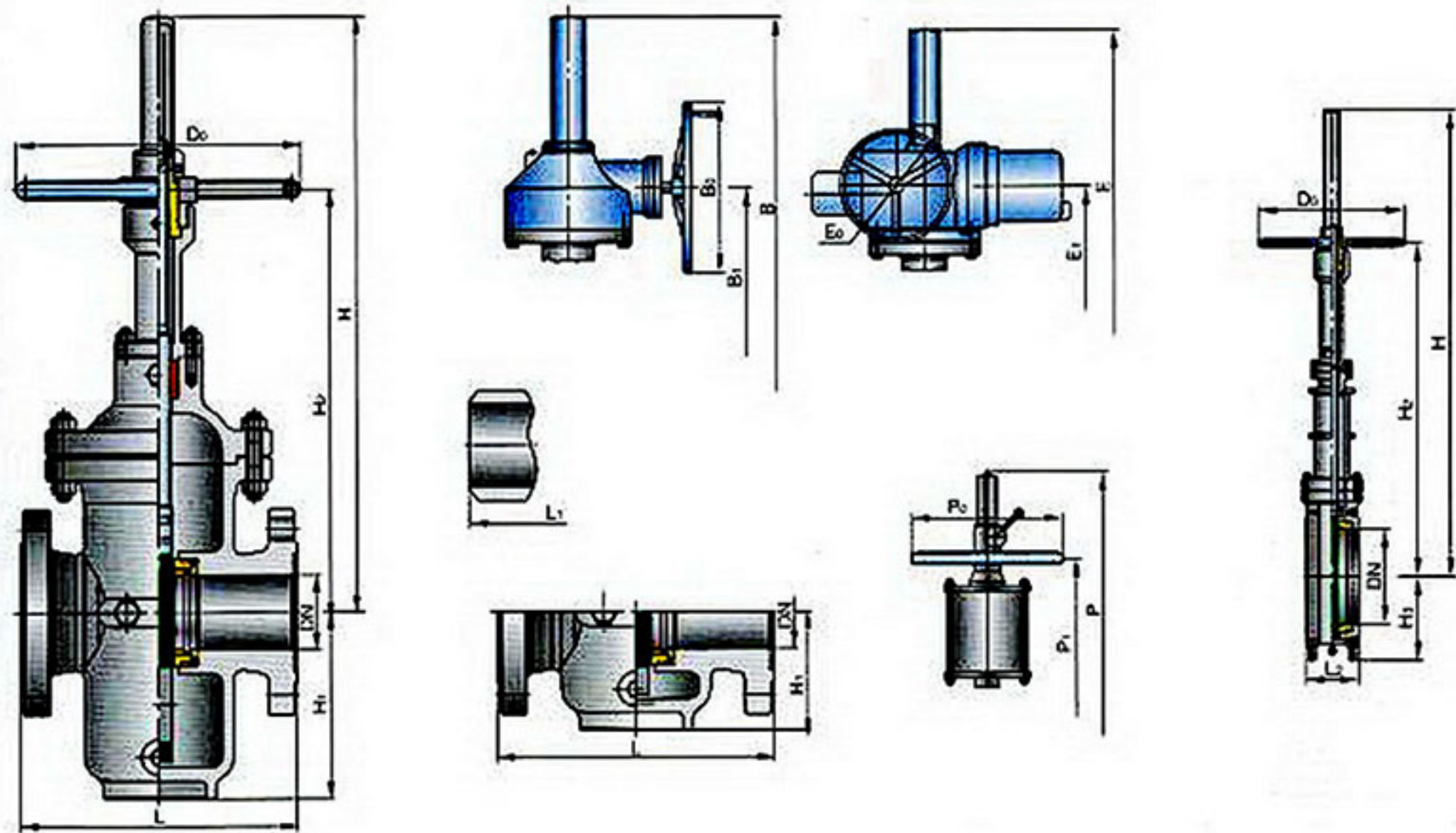
Add.: No. 806, Binhai 4th Avenue, Longwan District, Wenzhou City, China

Tel: +86 577 8682 1368 Fax: +86 577 86815502 / 86815501

E-mail: [sales4@jinggongvalve.com](mailto:sales4@jinggongvalve.com) [jg.valve@qq.com](mailto:jg.valve@qq.com) Website: [jinggongvalve.com](http://jinggongvalve.com)



DN		900LB							
mm	Inch	L	D	D1	D2	b	n-φd	H	Do
50	2	371	216	165.0	95.3	46.0	8-φ25.4	590.6	250
80	3	384	241	190.5	123.8	46.0	8-φ25.4	685.8	250
100	4	460	292	235.0	149.2	52.4	8-φ32	793.8	250
150	6	613	381	317.5	211.1	63.6	12-φ32	1146.2	400
200	8	740	470	393.7	269.9	71.4	12-φ38	1425.6	400
250	10	841	546	469.9	323.9	77.8	16-φ38	1511.3	150
300	12	968	610	533.4	381.0	87.2	20-φ38	1962.2	500
350	14	1038	641	558.8	419.1	97.0	20-φ41	2022.5	600
400	16	1140	705	616	419.1	97.0	20-φ44	2219.3	600
450	18	1232	787	685.8	466.9	111.6	20-φ50	2462.2	600
500	20	1334	857	749.3	466.9	116	20-φ54		



**Main outline dimensions: mm**

DN mm	NPS in	FLG	Butt weld	L-T	Manual			Gear drive		
		L	L1	L2	H	H2	D0	B	B1	B0
25	1	127	127	-	360	250	180	-	-	-
32	1 1/4	140	140	-	375	260	180	-	-	-
40	1 1/2	165	165	-	410	290	250	-	-	-
50	2	178	216	-	450	315	250	-	-	-

Add.: No. 806, Binhai 4th Avenue, Longwan District, Wenzhou City, China

Tel: +86 577 8682 1368 Fax: +86 577 86815502 / 86815501

E-mail: [sales4@jinggongvalve.com](mailto:sales4@jinggongvalve.com) [jg.valve@qq.com](mailto:jg.valve@qq.com) Website: [jinggongvalve.com](http://jinggongvalve.com)





JINGGONG VALVE

# China. Jinggong Valve Co., Ltd.

65	21/2	190	241	-	550	420	300	-	-	-
80	3	203	283	-	610	428	300	-	-	-
100	4	229	305	150	700	494	300	770	650	310
150	6	267	403	150	895	625	350	965	800	310
200	8	292	419	180	1130	784	350	1200	960	310
250	10	330	457	180	1290	937	400	1360	1080	310
300	12	356	502	200	1480	1080	450	1560	1200	310
350	14	381	572	200	1660	1283	500	1740	1350	460
400	16	406	610	218	1850	1417	500	1930	1500	460
450	18	432	660	218	2080	1489	600	2160	1680	460
500	20	457	711	229	2300	1672	700	2420	1850	460
600	24	508	813	248	2680	2012	800	2800	2120	460
700	28	610	914	286	3080	2250	800	3200	2450	460
800	32	660	965	286	3491	2550	1000	3640	2800	460
900	36	711	1016	-	3897	2850	1000	4050	3080	600
1000	40	811	-	-	4317	3250	1200	4467	3400	600

DN mm	Gear type	Pneumatic/Hydraulic drive			Electric drive			Electric type	Ngh	Guide Hole
		P	P1	P0	E	E1	E0			
25	-	-	-	--	-	-	-	-	60	85
32	-	-	-	--	-	-	-	-	71	103
40	-	-	-	--	-	-	-	-	75	115
50	-	525	430	250	-	-	-	-	85	122
65	-	648	560	300	-	-	-	-	91	154
80	-	730	630	300	-	-	-	-	109	169
100	BA-0	850	720	300	912	790	200	SMC-04	121	193
150	BA-0	1120	920	350	1107	920	500	SMC-03	178	283
200	BA-0	1430	1160	350	1390	1120	500	SMC-03	211	352
250	BA-0	1665	1380	400	1550	1250	500	SMC-03	215	440
300	BA-0	1930	1550	450	1740	1400	305	SMC-00	245	514
350	BA-1	2185	1750	450	1913	1550	305	SMC-00	280	602
400	BA-1	2450	2000	500	2103	1620	305	SMC-00	310	678
450	BA-1	2755	2250	500	2365	1830	305	SMC-0	346	785
500	BA-1	3050	2450	600	2585	1980	305	SMC-0	363	855
600	BA-2	3580	2900	800	2990	2300	305	SMC-1	442	1045
700	BA-2	4130	3350	800	3390	2600	305	SMC-1	505	1190
800	BA-2	-	-	-	3850	2980	305	SMC-1	560	1350
900	BA-3	-	-	-	4260	3200	458	SMC-2	610	1510
1000	BA-3	-	-	-	4677	3600	458	SMC-2	715	1715

Remark: FLG=Flange, L-T=Light type, Ngh=No guide hole;

Add.: No. 806, Binhai 4th Avenue, Longwan District, Wenzhou City, China

Tel: +86 577 8682 1368 Fax: +86 577 86815502 / 86815501

E-mail: [sales4@jinggongvalve.com](mailto:sales4@jinggongvalve.com) [jg.valve@qq.com](mailto:jg.valve@qq.com) Website: [jinggongvalve.com](http://jinggongvalve.com)