



JINGGONG VALVE

China. Jinggong Valve Co., Ltd.

API Q1, API 6D, API 607, CE, AZ, EAC, ISO Accredited Enterprise

Wafer Type Butterfly Valve



Technical features and applications:

1. It adopts triple offset wafer type and flange structure, with reliable seal performance. When opening the valve, Disc doesn't touch the seal seat, so it eliminates the un-balanced load of seal seat, so as to prolong the valve's working life. The valve is also high temperature resistance, wear resistance, and anti corrosion.
2. The valve is widely applied to the pipeline of petroleum, chemical, water treatment, high building, water supply and drainage, etc.

Using standards:

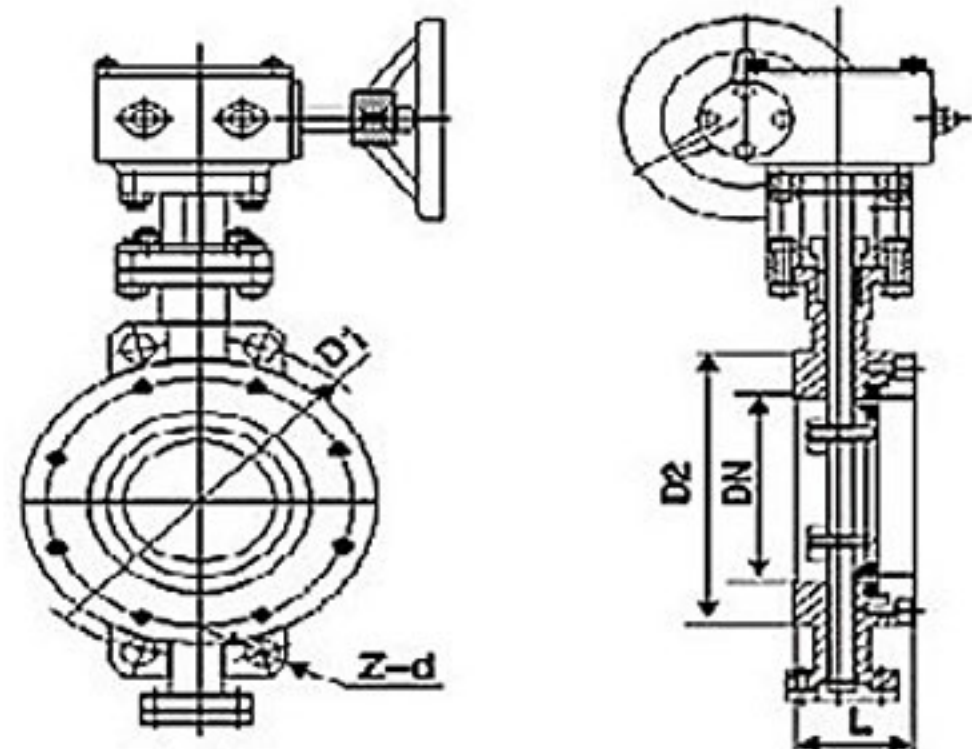
Design standard: API609-83
 Flange standard: ANSI B16.5
 Face to face: ANSI B16.10-1992
 Pressure test: API 598

Materials of main parts:

Body: WCB, SS 304, SS 316, CF8M
 Disc: WCB, SS 304, SS 316, CF8M
 Stem: SS 316, 2Cr13, 1Cr18Ni0Ti
 Seal ring: SS 316, PTFE
 Packing: Flexible Graphite, PTFE

Test parameters:

| | | |
|---|---------|---------|
| DN (mm) | 2"-36" | 2"-36" |
| PN (MPa) | 150LB | 300LB |
| Shell test | 3.0 MPa | 7.5 MPa |
| Seal test | 2.2 MPa | 5.5 MPa |
| Applicable medium: water, steam, oil, sea water, etc. | | |
| Applicable temperature: -29~425 °C | | |





JINGGONG VALVE

China. Jinggong Valve Co., Ltd.
 API Q1, API 6D, API 607, CE, AZ, EAC, ISO Accredited Enterprise

Main connection dimensions: (150 LB)

| DN | | Dimensions (mm) | | | |
|------|------|-----------------|-------|------|-------|
| Inch | mm | L | D1 | D2 | Z-d |
| 2" | 50 | 43 | 120.5 | 92 | 4-19 |
| 2.5" | 65 | 46 | 139.5 | 105 | 4-19 |
| 3" | 80 | 49 | 152.5 | 127 | 4-19 |
| 4" | 100 | 56 | 190.5 | 157 | 8-19 |
| 5" | 125 | 64 | 216 | 186 | 8-22 |
| 6" | 150 | 70 | 241.5 | 216 | 8-22 |
| 8" | 200 | 71 | 298.5 | 270 | 8-22 |
| 10" | 250 | 76 | 362 | 324 | 12-25 |
| 12" | 300 | 83 | 432 | 381 | 12-25 |
| 14" | 350 | 92 | 476 | 413 | 12-29 |
| 16" | 400 | 102 | 540 | 470 | 16-29 |
| 18" | 450 | 114 | 578 | 533 | 16-32 |
| 20" | 500 | 127 | 635 | 584 | 20-32 |
| 24" | 600 | 154 | 750 | 692 | 20-35 |
| 28" | 700 | 165 | 864 | 800 | 28-35 |
| 32" | 800 | 190 | 978 | 914 | 28-41 |
| 36" | 900 | 203 | 1086 | 1022 | 32-41 |
| 40" | 1000 | 216 | 1200 | 1124 | 36-41 |

Main connection dimensions: (300 LB)

| DN | | Dimensions (mm) | | | |
|------|-----|-----------------|-------|-----|-------|
| Inch | mm | L | D1 | D2 | Z-d |
| 2" | 50 | 43 | 127 | 92 | 8-19 |
| 2.5" | 65 | 46 | 149 | 105 | 8-22 |
| 3" | 80 | 49 | 168.5 | 127 | 8-22 |
| 4" | 100 | 56 | 200 | 157 | 8-22 |
| 5" | 125 | 64 | 235 | 186 | 8-22 |
| 6" | 150 | 70 | 270 | 216 | 12-22 |
| 8" | 200 | 73 | 330 | 270 | 12-25 |
| 10" | 250 | 83 | 387.5 | 324 | 16-29 |
| 12" | 300 | 92 | 451 | 381 | 16-32 |
| 14" | 350 | 117 | 514.5 | 413 | 20-32 |
| 16" | 400 | 133 | 571.5 | 470 | 20-35 |
| 18" | 450 | 149 | 628.5 | 533 | 24-35 |
| 20" | 500 | 159 | 686 | 584 | 24-35 |
| 24" | 600 | 181 | 813 | 692 | 24-41 |